

## DISTANZIATORI M/F M6 ESAGONO 8,0



### Descrizione tecnica

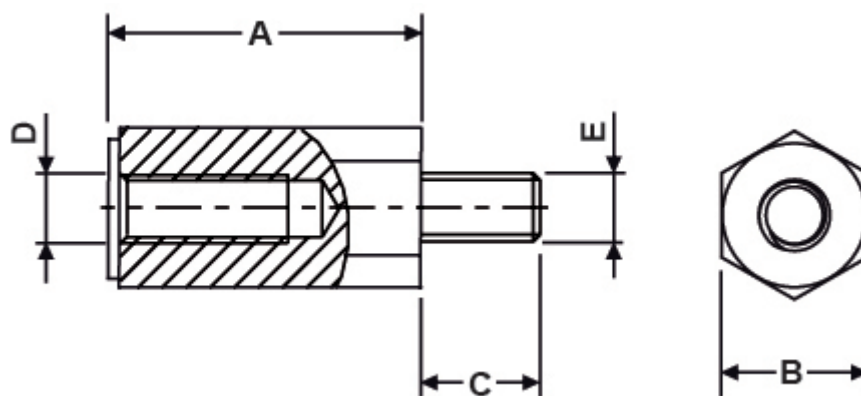
**Materiale:** PA 6.6

**Colore:** nero

**Autoestinguenza:** HB (UL 94)

**Temperatura esercizio:** -30°C ~ +130°C

Tutte le quote sono in mm



Codice	A	B	C	D	E	Conf./pezzi
10023AA0108.0	8,0	10,0	10,0	M6	M6	500
10023AA0109.0	9,0	10,0	10,0	M6	M6	500
10023AA0110.0	10,0	10,0	10,0	M6	M6	500
10023AA0111.0	11,0	10,0	10,0	M6	M6	500
10023AA0112.0	12,0	10,0	10,0	M6	M6	500
10023AA0113.0	13,0	10,0	10,0	M6	M6	500
10023AA0114.0	14,0	10,0	10,0	M6	M6	500

Codice	A	B	C	D	E	Conf./pezzi
10023AA0115.0	15,0	10,0	10,0	M6	M6	500
10023AA0116.0	16,0	10,0	10,0	M6	M6	500
10023AA0117.0	17,0	10,0	10,0	M6	M6	500
10023AA0118.0	18,0	10,0	10,0	M6	M6	500
10023AA0119.0	19,0	10,0	10,0	M6	M6	500
10023AA0120.0	20,0	10,0	10,0	M6	M6	500
10023AA0121.0	21,0	10,0	10,0	M6	M6	500
10023AA0122.0	22,0	10,0	10,0	M6	M6	500
10023AA0123.0	23,0	10,0	10,0	M6	M6	500
10023AA0124.0	24,0	10,0	10,0	M6	M6	500
10023AA0125.0	25,0	10,0	10,0	M6	M6	500
10023AA0126.0	26,0	10,0	10,0	M6	M6	500
10023AA0127.0	27,0	10,0	10,0	M6	M6	500
10023AA0128.0	28,0	10,0	10,0	M6	M6	500
10023AA0129.0	29,0	10,0	10,0	M6	M6	500
10023AA0130.0	30,0	10,0	10,0	M6	M6	500
10023AA0131.0	31,0	10,0	10,0	M6	M6	500
10023AA0132.0	32,0	10,0	10,0	M6	M6	500
10023AA0133.0	33,0	10,0	10,0	M6	M6	500
10023AA0134.0	34,0	10,0	10,0	M6	M6	500
10023AA0135.0	35,0	10,0	10,0	M6	M6	500
10023AA0136.0	36,0	10,0	10,0	M6	M6	500
10023AA0137.0	37,0	10,0	10,0	M6	M6	500
10023AA0138.0	38,0	10,0	10,0	M6	M6	500
10023AA0139.0	39,0	10,0	10,0	M6	M6	500
10023AA0140.0	40,0	10,0	10,0	M6	M6	500
10023AA0141.0	41,0	10,0	10,0	M6	M6	500
10023AA0142.0	42,0	10,0	10,0	M6	M6	500
10023AA0143.0	43,0	10,0	10,0	M6	M6	500
10023AA0144.0	44,0	10,0	10,0	M6	M6	500
10023AA0145.0	45,0	10,0	10,0	M6	M6	500

Codice	A	B	C	D	E	Conf./pezzi
10023AA0146.0	46,0	10,0	10,0	M6	M6	500
10023AA0147.0	47,0	10,0	10,0	M6	M6	500
10023AA0148.0	48,0	10,0	10,0	M6	M6	500
10023AA0149.0	49,0	10,0	10,0	M6	M6	500
10023AA0150.0	50,0	10,0	10,0	M6	M6	500
10023AA0151.0	51,0	10,0	10,0	M6	M6	500
10023AA0152.0	52,0	10,0	10,0	M6	M6	500
10023AA0153.0	53,0	10,0	10,0	M6	M6	500
10023AA0154.0	54,0	10,0	10,0	M6	M6	500
10023AA0155.0	55,0	10,0	10,0	M6	M6	500
10023AA0156.0	56,0	10,0	10,0	M6	M6	500
10023AA0157.0	57,0	10,0	10,0	M6	M6	500
10023AA0158.0	58,0	10,0	10,0	M6	M6	500
10023AA0159.0	59,0	10,0	10,0	M6	M6	500
10023AA0160.0	60,0	10,0	10,0	M6	M6	500
10023AA0161.0	61,0	10,0	10,0	M6	M6	500
10023AA0162.0	62,0	10,0	10,0	M6	M6	500
10023AA0163.0	63,0	10,0	10,0	M6	M6	500
10023AA0164.0	64,0	10,0	10,0	M6	M6	500
10023AA0165.0	65,0	10,0	10,0	M6	M6	500