

DISTANZIATORI M/F M4/M4 ESAGONO 8,0



Descrizione tecnica

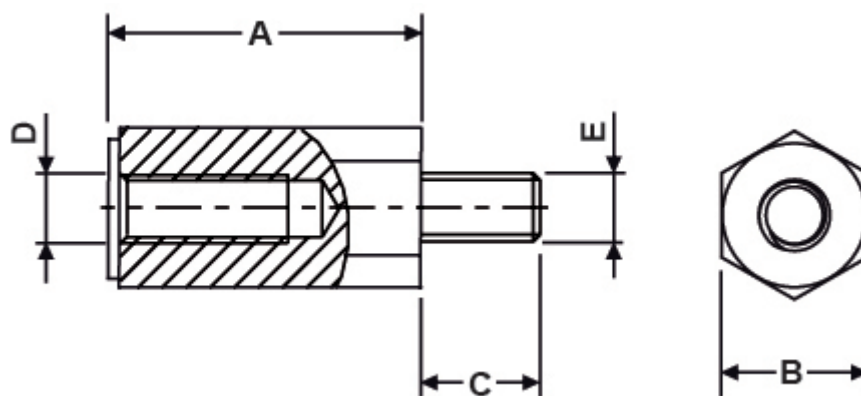
Materiale: PA 6.6

Colore: Nero

Autoestinguenza: HB (UL94)

Temperatura d'esercizio: -35°C ~ +130°C

Tutte le quote sono in mm



Codice	A	B	C	D	E	Conf./pezzi
6924AA0105.0	5,0	8,0	8,0	M4	M4	500
6924AA0106.0	6,0	8,0	8,0	M4	M4	500
6924AA0107.0	7,0	8,0	8,0	M4	M4	500
6924AA0108.0	8,0	8,0	8,0	M4	M4	500
6924AA0109.0	9,0	8,0	8,0	M4	M4	500
6924AA0110.0	10,0	8,0	8,0	M4	M4	500
6924AA0111.0	11,0	8,0	8,0	M4	M4	500

Codice	A	B	C	D	E	Conf./pezzi
6924AA0112.0	12,0	8,0	8,0	M4	M4	500
6924AA0113.0	13,0	8,0	8,0	M4	M4	500
6924AA0114.0	14,0	8,0	8,0	M4	M4	500
6924AA0115.0	15,0	8,0	8,0	M4	M4	500
6924AA0116.0	16,0	8,0	8,0	M4	M4	500
6924AA0117.0	17,0	8,0	8,0	M4	M4	500
6924AA0118.0	18,0	8,0	8,0	M4	M4	500
6924AA0119.0	19,0	8,0	8,0	M4	M4	500
6924AA0120.0	20,0	8,0	8,0	M4	M4	500
6924AA0121.0	21,0	8,0	8,0	M4	M4	500
6924AA0122.0	22,0	8,0	8,0	M4	M4	500
6924AA0123.0	23,0	8,0	8,0	M4	M4	500
6924AA0124.0	24,0	8,0	8,0	M4	M4	500
6924AA0125.0	25,0	8,0	8,0	M4	M4	500
6924AA0126.0	26,0	8,0	8,0	M4	M4	500
6924AA0127.0	27,0	8,0	8,0	M4	M4	500
6924AA0128.0	28,0	8,0	8,0	M4	M4	500
6924AA0129.0	29,0	8,0	8,0	M4	M4	500
6924AA0130.0	30,0	8,0	8,0	M4	M4	500
6924AA0131.0	31,0	8,0	8,0	M4	M4	500
6924AA0132.0	32,0	8,0	8,0	M4	M4	500
6924AA0133.0	33,0	8,0	8,0	M4	M4	500
6924AA0134.0	34,0	8,0	8,0	M4	M4	500
6924AA0135.0	35,0	8,0	8,0	M4	M4	500
6924AA0136.0	36,0	8,0	8,0	M4	M4	500
6924AA0137.0	37,0	8,0	8,0	M4	M4	500
6924AA0138.0	38,0	8,0	8,0	M4	M4	500
6924AA0139.0	39,0	8,0	8,0	M4	M4	500
6924AA0140.0	40,0	8,0	8,0	M4	M4	500
6924AA0141.0	41,0	8,0	8,0	M4	M4	500
6924AA0142.0	42,0	8,0	8,0	M4	M4	500

Codice	A	B	C	D	E	Conf./pezzi
6924AA0143.0	43,0	8,0	8,0	M4	M4	500
6924AA0144.0	44,0	8,0	8,0	M4	M4	500
6924AA0145.0	45,0	8,0	8,0	M4	M4	500
6924AA0146.0	46,0	8,0	8,0	M4	M4	500
6924AA0147.0	47,0	8,0	8,0	M4	M4	500
6924AA0148.0	48,0	8,0	8,0	M4	M4	500
6924AA0149.0	49,0	8,0	8,0	M4	M4	500
6924AA0150.0	50,0	8,0	8,0	M4	M4	500
6924AA0151.0	51,0	8,0	8,0	M4	M4	500
6924AA0152.0	52,0	8,0	8,0	M4	M4	500
6924AA0153.0	53,0	8,0	8,0	M4	M4	500
6924AA0154.0	54,0	8,0	8,0	M4	M4	500
6924AA0155.0	55,0	8,0	8,0	M4	M4	500
6924AA0156.0	56,0	8,0	8,0	M4	M4	500
6924AA0157.0	57,0	8,0	8,0	M4	M4	500
6924AA0158.0	58,0	8,0	8,0	M4	M4	500
6924AA0159.0	59,0	8,0	8,0	M4	M4	500
6924AA0160.0	60,0	8,0	8,0	M4	M4	500
6924AA0161.0	61,0	8,0	8,0	M4	M4	500
6924AA0162.0	62,0	8,0	8,0	M4	M4	500
6924AA0163.0	63,0	8,0	8,0	M4	M4	500
6924AA0164.0	64,0	8,0	8,0	M4	M4	500
6924AA0165.0	65,0	8,0	8,0	M4	M4	500
6924AA0166.0	66,0	8,0	8,0	M4	M4	500
6924AA0167.0	67,0	8,0	8,0	M4	M4	500
6924AA0168.0	68,0	8,0	8,0	M4	M4	500
6924AA0169.0	69,0	8,0	8,0	M4	M4	500
6924AA0170.0	70,0	8,0	8,0	M4	M4	500