

DISTANZIATORI M/F M3/UNC4.40 ESAGONO 6,0



Descrizione tecnica

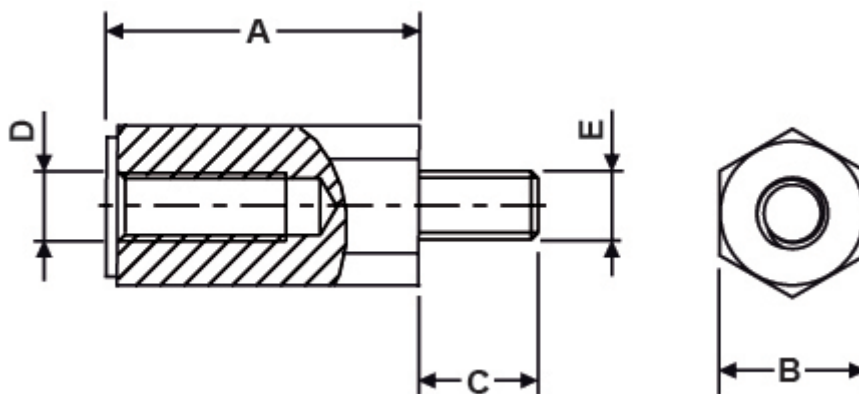
Materiale: PA 6.6

Colore: nero

Autoestinguenza: HB (UL 94)

Temperatura esercizio: -30°C ~ +130°C

Tutte le quote sono in mm



Codice	A	B	C	D	E	Conf./pezzi
10017AA0105.0	5,0	6,0	5,0	M3	UNC4.40	500
10017AA0106.0	6,0	6,0	5,0	M3	UNC4.40	500
10017AA0107.0	7,0	6,0	5,0	M3	UNC4.40	500
10017AA0108.0	8,0	6,0	5,0	M3	UNC4.40	500
10017AA0109.0	9,0	6,0	5,0	M3	UNC4.40	500
10017AA0110.0	10,0	6,0	5,0	M3	UNC4.40	500
10017AA0111.0	11,0	6,0	5,0	M3	UNC4.40	500

Codice	A	B	C	D	E	Conf./pezzi
10017AA0112.0	12,0	6,0	5,0	M3	UNC4.40	500
10017AA0113.0	13,0	6,0	5,0	M3	UNC4.40	500
10017AA0114.0	14,0	6,0	5,0	M3	UNC4.40	500
10017AA0115.0	15,0	6,0	5,0	M3	UNC4.40	500
10017AA0116.0	16,0	6,0	5,0	M3	UNC4.40	500
10017AA0117.0	17,0	6,0	5,0	M3	UNC4.40	500
10017AA0118.0	18,0	6,0	5,0	M3	UNC4.40	500
10017AA0119.0	19,0	6,0	5,0	M3	UNC4.40	500
10017AA0120.0	20,0	6,0	5,0	M3	UNC4.40	500
10017AA0121.0	21,0	6,0	5,0	M3	UNC4.40	500
10017AA0122.0	22,0	6,0	5,0	M3	UNC4.40	500
10017AA0123.0	23,0	6,0	5,0	M3	UNC4.40	500
10017AA0124.0	24,0	6,0	5,0	M3	UNC4.40	500
10017AA0125.0	25,0	6,0	5,0	M3	UNC4.40	500
10017AA0126.0	26,0	6,0	5,0	M3	UNC4.40	500
10017AA0127.0	27,0	6,0	5,0	M3	UNC4.40	500
10017AA0128.0	28,0	6,0	5,0	M3	UNC4.40	500
10017AA0129.0	29,0	6,0	5,0	M3	UNC4.40	500
10017AA0130.0	30,0	6,0	5,0	M3	UNC4.40	500
10017AA0131.0	31,0	6,0	5,0	M3	UNC4.40	500
10017AA0132.0	32,0	6,0	5,0	M3	UNC4.40	500
10017AA0133.0	33,0	6,0	5,0	M3	UNC4.40	500
10017AA0134.0	34,0	6,0	5,0	M3	UNC4.40	500
10017AA0135.0	35,0	6,0	5,0	M3	UNC4.40	500
10017AA0136.0	36,0	6,0	5,0	M3	UNC4.40	500
10017AA0137.0	37,0	6,0	5,0	M3	UNC4.40	500
10017AA0138.0	38,0	6,0	5,0	M3	UNC4.40	500
10017AA0139.0	39,0	6,0	5,0	M3	UNC4.40	500
10017AA0140.0	40,0	6,0	5,0	M3	UNC4.40	500
10017AA0141.0	41,0	6,0	5,0	M3	UNC4.40	500
10017AA0142.0	42,0	6,0	5,0	M3	UNC4.40	500

Codice	A	B	C	D	E	Conf./pezzi
10017AA0143.0	43,0	6,0	5,0	M3	UNC4.40	500
10017AA0144.0	44,0	6,0	5,0	M3	UNC4.40	500
10017AA0145.0	45,0	6,0	5,0	M3	UNC4.40	500
10017AA0146.0	46,0	6,0	5,0	M3	UNC4.40	500
10017AA0147.0	47,0	6,0	5,0	M3	UNC4.40	500
10017AA0148.0	48,0	6,0	5,0	M3	UNC4.40	500
10017AA0149.0	49,0	6,0	5,0	M3	UNC4.40	500
10017AA0150.0	50,0	6,0	5,0	M3	UNC4.40	500
10017AA0151.0	51,0	6,0	5,0	M3	UNC4.40	500
10017AA0152.0	52,0	6,0	5,0	M3	UNC4.40	500
10017AA0153.0	53,0	6,0	5,0	M3	UNC4.40	500
10017AA0154.0	54,0	6,0	5,0	M3	UNC4.40	500
10017AA0155.0	55,0	6,0	5,0	M3	UNC4.40	500
10017AA0156.0	56,0	6,0	5,0	M3	UNC4.40	500
10017AA0157.0	57,0	6,0	5,0	M3	UNC4.40	500
10017AA0158.0	58,0	6,0	5,0	M3	UNC4.40	500
10017AA0159.0	59,0	6,0	5,0	M3	UNC4.40	500
10017AA0160.0	60,0	6,0	5,0	M3	UNC4.40	500
10017AA0161.0	61,0	6,0	5,0	M3	UNC4.40	500