

## DISTANZIATORI M/F M2,5/M3 ESAGONO 5,0



### Descrizione tecnica

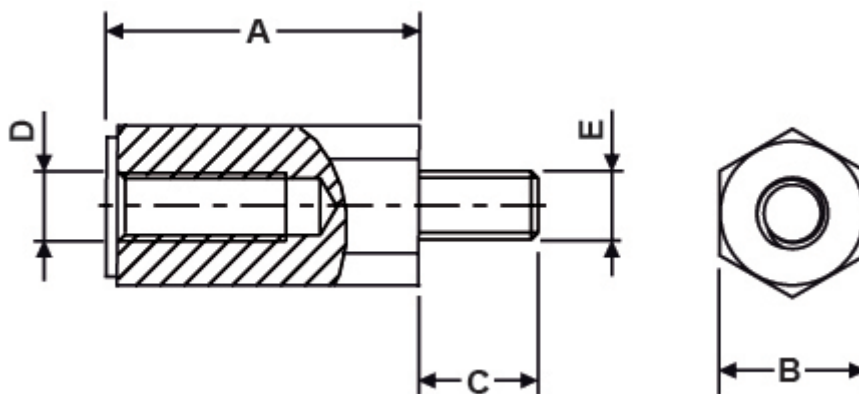
**Materiale:** PA 6.6

**Colore:** nero

**Autoestinguenza:** HB (UL 94)

**Temperatura esercizio:** -35°C ~ +130°C

Tutte le quote sono in mm



Codice	A	B	C	D	E	Conf./pezzi
10010AA0105.0	5,0	5,0	6,0	M2.5	M3	500
10010AA0106.0	6,0	5,0	6,0	M2.5	M3	500
10010AA0107.0	7,0	5,0	6,0	M2.5	M3	500
10010AA0108.0	8,0	5,0	6,0	M2.5	M3	500
10010AA0109.0	9,0	5,0	6,0	M2.5	M3	500
10010AA0110.0	10,0	5,0	6,0	M2.5	M3	500
10010AA0111.0	11,0	5,0	6,0	M2.5	M3	500

Codice	A	B	C	D	E	Conf./pezzi
10010AA0112.0	12,0	5,0	6,0	M2.5	M3	500
10010AA0113.0	13,0	5,0	6,0	M2.5	M3	500
10010AA0114.0	14,0	5,0	6,0	M2.5	M3	500
10010AA0115.0	15,0	5,0	6,0	M2.5	M3	500
10010AA0116.0	16,0	5,0	6,0	M2.5	M3	500
10010AA0117.0	17,0	5,0	6,0	M2.5	M3	500
10010AA0118.0	18,0	5,0	6,0	M2.5	M3	500
10010AA0119.0	19,0	5,0	6,0	M2.5	M3	500
10010AA0120.0	20,0	5,0	6,0	M2.5	M3	500
10010AA0121.0	21,0	5,0	6,0	M2.5	M3	500
10010AA0122.0	22,0	5,0	6,0	M2.5	M3	500
10010AA0123.0	23,0	5,0	6,0	M2.5	M3	500
10010AA0124.0	24,0	5,0	6,0	M2.5	M3	500
10010AA0125.0	25,0	5,0	6,0	M2.5	M3	500
10010AA0126.0	26,0	5,0	6,0	M2.5	M3	500
10010AA0127.0	27,0	5,0	6,0	M2.5	M3	500
10010AA0128.0	28,0	5,0	6,0	M2.5	M3	500
10010AA0129.0	29,0	5,0	6,0	M2.5	M3	500
10010AA0130.0	30,0	5,0	6,0	M2.5	M3	500
10010AA0131.0	31,0	5,0	6,0	M2.5	M3	500
10010AA0132.0	32,0	5,0	6,0	M2.5	M3	500
10010AA0133.0	33,0	5,0	6,0	M2.5	M3	500
10010AA0134.0	34,0	5,0	6,0	M2.5	M3	500
10010AA0135.0	35,0	5,0	6,0	M2.5	M3	500
10010AA0136.0	36,0	5,0	6,0	M2.5	M3	500
10010AA0137.0	37,0	5,0	6,0	M2.5	M3	500
10010AA0138.0	38,0	5,0	6,0	M2.5	M3	500
10010AA0139.0	39,0	5,0	6,0	M2.5	M3	500
10010AA0140.0	40,0	5,0	6,0	M2.5	M3	500
10010AA0141.0	41,0	5,0	6,0	M2.5	M3	500
10010AA0142.0	42,0	5,0	6,0	M2.5	M3	500

Codice	A	B	C	D	E	Conf./pezzi
10010AA0143.0	43,0	5,0	6,0	M2.5	M3	500
10010AA0144.0	44,0	5,0	6,0	M2.5	M3	500
10010AA0145.0	45,0	5,0	6,0	M2.5	M3	500