

DISTANZIATORI M/F M2,5 ESAGONO 6,0



Descrizione tecnica

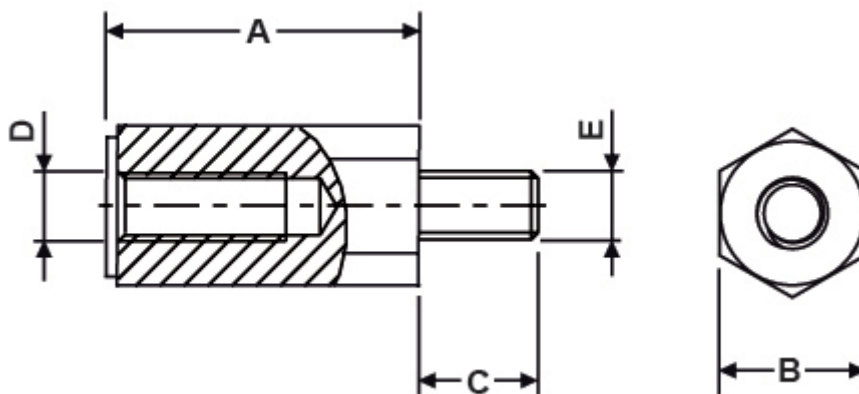
Materiale: PA 6.6

Colore: nero

Autoestinguenza: HB (UL 94)

Temperatura esercizio: -30°C ~ +130°C

Tutte le quote sono in mm



Codice	A	B	C	D	E	Conf./pezzi
10015AA0104.0	4,0	6,0	8,0	M2.5	M2.5	500
10015AA0105.0	5,0	6,0	8,0	M2.5	M2.5	500
10015AA0106.0	6,0	6,0	8,0	M2.5	M2.5	500
10015AA0107.0	7,0	6,0	8,0	M2.5	M2.5	500
10015AA0108.0	8,0	6,0	8,0	M2.5	M2.5	500
10015AA0109.0	9,0	6,0	8,0	M2.5	M2.5	500
10015AA0110.0	10,0	6,0	8,0	M2.5	M2.5	500

Codice	A	B	C	D	E	Conf./pezzi
10015AA0111.0	11,0	6,0	8,0	M2.5	M2.5	500
10015AA0112.0	12,0	6,0	8,0	M2.5	M2.5	500
10015AA0113.0	13,0	6,0	8,0	M2.5	M2.5	500
10015AA0114.0	14,0	6,0	8,0	M2.5	M2.5	500
10015AA0115.0	15,0	6,0	8,0	M2.5	M2.5	500
10015AA0116.0	16,0	6,0	8,0	M2.5	M2.5	500
10015AA0117.0	17,0	6,0	8,0	M2.5	M2.5	500
10015AA0118.0	18,0	6,0	8,0	M2.5	M2.5	500
10015AA0119.0	19,0	6,0	8,0	M2.5	M2.5	500
10015AA0120.0	20,0	6,0	8,0	M2.5	M2.5	500
10015AA0121.0	21,0	6,0	8,0	M2.5	M2.5	500
10015AA0122.0	22,0	6,0	8,0	M2.5	M2.5	500
10015AA0123.0	23,0	6,0	8,0	M2.5	M2.5	500
10015AA0124.0	24,0	6,0	8,0	M2.5	M2.5	500
10015AA0125.0	25,0	6,0	8,0	M2.5	M2.5	500
10015AA0126.0	26,0	6,0	8,0	M2.5	M2.5	500
10015AA0127.0	27,0	6,0	8,0	M2.5	M2.5	500
10015AA0128.0	28,0	6,0	8,0	M2.5	M2.5	500
10015AA0129.0	29,0	6,0	8,0	M2.5	M2.5	500
10015AA0130.0	30,0	6,0	8,0	M2.5	M2.5	500
10015AA0131.0	31,0	6,0	8,0	M2.5	M2.5	500
10015AA0132.0	32,0	6,0	8,0	M2.5	M2.5	500
10015AA0133.0	33,0	6,0	8,0	M2.5	M2.5	500
10015AA0134.0	34,0	6,0	8,0	M2.5	M2.5	500
10015AA0135.0	35,0	6,0	8,0	M2.5	M2.5	500
10015AA0136.0	36,0	6,0	8,0	M2.5	M2.5	500
10015AA0137.0	37,0	6,0	8,0	M2.5	M2.5	500
10015AA0138.0	38,0	6,0	8,0	M2.5	M2.5	500
10015AA0139.0	39,0	6,0	8,0	M2.5	M2.5	500
10015AA0140.0	40,0	6,0	8,0	M2.5	M2.5	500
10015AA0141.0	41,0	6,0	8,0	M2.5	M2.5	500

Codice	A	B	C	D	E	Conf./pezzi
10015AA0142.0	42,0	6,0	8,0	M2.5	M2.5	500
10015AA0143.0	43,0	6,0	8,0	M2.5	M2.5	500
10015AA0144.0	44,0	6,0	8,0	M2.5	M2.5	500
10015AA0145.0	45,0	6,0	8,0	M2.5	M2.5	500