

DISTANZIATORI M/F M2,5 ESAGONO 5,0



Descrizione tecnica

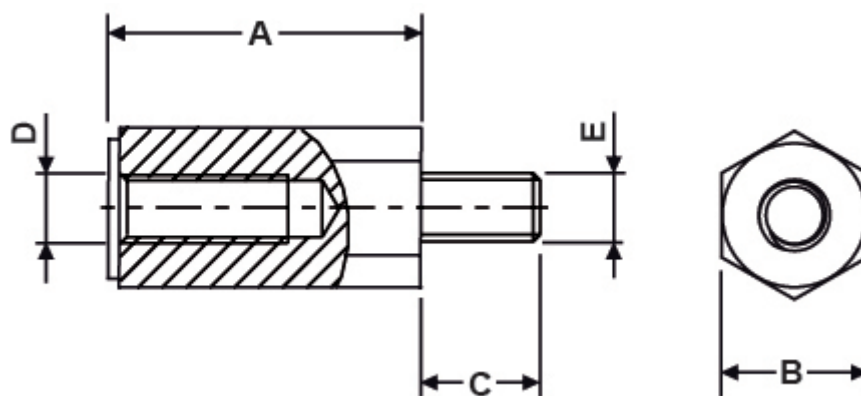
Materiale: PA 6.6

Colore: nero

Autoestinguenza: HB (UL 94)

Temperatura esercizio: -30°C ~ +130°C

Tutte le quote sono in mm



Codice	A	B	C	D	E	Conf./pezzi
6920AA0105.0	5,0	5,0	8,0	M2,5	M2,5	500
6920AA0106.0	6,0	5,0	8,0	M2,5	M2,5	500
6920AA0107.0	7,0	5,0	8,0	M2,5	M2,5	500
6920AA0108.0	8,0	5,0	8,0	M2,5	M2,5	500
6920AA0109.0	9,0	5,0	8,0	M2,5	M2,5	500
6920AA0110.0	10,0	5,0	8,0	M2,5	M2,5	500
6920AA0111.0	11,0	5,0	8,0	M2,5	M2,5	500

Codice	A	B	C	D	E	Conf./pezzi
6920AA0112.0	12,0	5,0	8,0	M2,5	M2.5	500
6920AA0113.0	13,0	5,0	8,0	M2,5	M2.5	500
6920AA0114.0	14,0	5,0	8,0	M2,5	M2.5	500
6920AA0115.0	15,0	5,0	8,0	M2,5	M2.5	500
6920AA0116.0	16,0	5,0	8,0	M2,5	M2.5	500
6920AA0117.0	17,0	5,0	8,0	M2,5	M2.5	500
6920AA0118.0	18,0	5,0	8,0	M2,5	M2.5	500
6920AA0119.0	19,0	5,0	8,0	M2,5	M2.5	500
6920AA0120.0	20,0	5,0	8,0	M2,5	M2.5	500
6920AA0121.0	21,0	5,0	8,0	M2,5	M2.5	500
6920AA0122.0	22,0	5,0	8,0	M2,5	M2.5	500
6920AA0123.0	23,0	5,0	8,0	M2,5	M2.5	500
6920AA0124.0	24,0	5,0	8,0	M2,5	M2.5	500
6920AA0125.0	25,0	5,0	8,0	M2,5	M2.5	500
6920AA0126.0	26,0	5,0	8,0	M2,5	M2.5	500
6920AA0127.0	27,0	5,0	8,0	M2,5	M2.5	500
6920AA0128.0	28,0	5,0	8,0	M2,5	M2.5	500
6920AA0129.0	29,0	5,0	8,0	M2,5	M2.5	500
6920AA0130.0	30,0	5,0	8,0	M2,5	M2.5	500
6920AA0131.0	31,0	5,0	8,0	M2,5	M2.5	500
6920AA0132.0	32,0	5,0	8,0	M2,5	M2.5	500
6920AA0133.0	33,0	5,0	8,0	M2,5	M2.5	500
6920AA0134.0	34,0	5,0	8,0	M2,5	M2.5	500
6920AA0135.0	35,0	5,0	8,0	M2,5	M2.5	500
6920AA0136.0	36,0	5,0	8,0	M2,5	M2.5	500
6920AA0137.0	37,0	5,0	8,0	M2,5	M2.5	500
6920AA0138.0	38,0	5,0	8,0	M2,5	M2.5	500
6920AA0139.0	39,0	5,0	8,0	M2,5	M2.5	500
6920AA0140.0	40,0	5,0	8,0	M2,5	M2.5	500
6920AA0141.0	41,0	5,0	8,0	M2,5	M2.5	500
6920AA0142.0	42,0	5,0	8,0	M2,5	M2.5	500

Codice	A	B	C	D	E	Conf./pezzi
6920AA0143.0	43,0	5,0	8,0	M2,5	M2.5	500
6920AA0144.0	44,0	5,0	8,0	M2,5	M2.5	500
6920AA0145.0	45,0	5,0	8,0	M2,5	M2.5	500