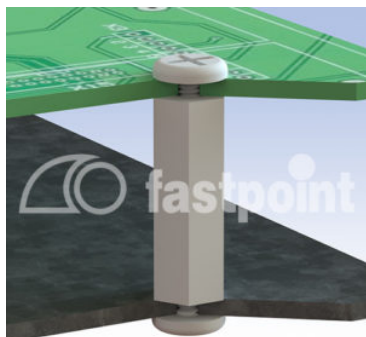


DISTANZIATORI IN OTTONE F/F M3



Descrizione tecnica

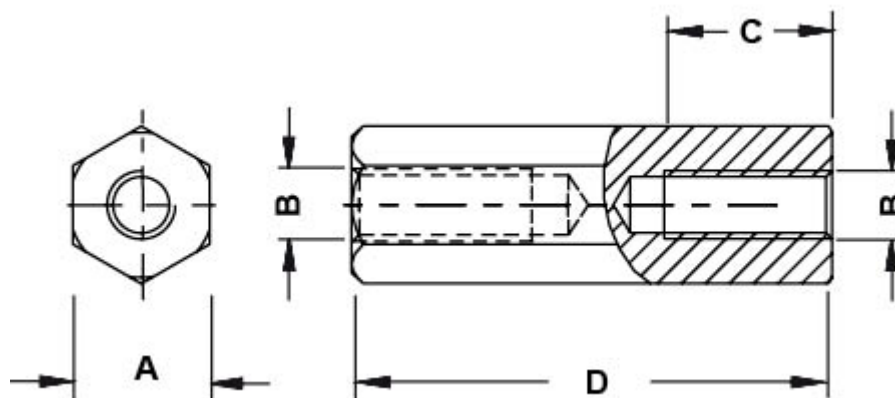
Materiale: Ottone nichelato

T: foro passante

Tutte le quote sono in mm

***Aggiungere la lunghezza desiderata alla parte finale del codice per ordinare**

Esempio d'ordine: 10832MA9208.0 per il distanziatore 10832MA92 con altezza 8,0 mm



Codice	A	B	C	D	Conf./pezzi
10832MA9205.0	SW 5.0	M3	T	5,0	100
10832MA9206.0	SW 5.0	M3	T	6,0	100
10832MA9207.0	SW 5.0	M3	T	7,0	100
10832MA9208.0	SW 5.0	M3	T	8,0	100
10832MA9209.0	SW 5.0	M3	T	9,0	100
10832MA9210.0	SW 5.0	M3	T	10,0	100
10832MA9211.0	SW 5.0	M3	T	11,0	100

Codice	A	B	C	D	Conf./pezzi
10832MA9212.0	SW 5.0	M3	T	12,0	100
10832MA9213.0	SW 5.0	M3	T	13,0	100
10832MA9214.0	SW 5.0	M3	T	14,0	100
10832MA9215.0	SW 5.0	M3	T	15,0	100
10832MA9216.0	SW 5.0	M3	8,0	16,0	100
10832MA9217.0	SW 5.0	M3	8,0	17,0	100
10832MA9218.0	SW 5.0	M3	8,0	18,0	100
10832MA9219.0	SW 5.0	M3	8,0	19,0	100
10832MA9220.0	SW 5.0	M3	8,0	20,0	100
10832MA9221.0	SW 5.0	M3	10,0	21,0	100
10832MA9222.0	SW 5.0	M3	10,0	22,0	100
10832MA9223.0	SW 5.0	M3	10,0	23,0	100
10832MA9224.0	SW 5.0	M3	10,0	24,0	100
10832MA9225.0	SW 5.0	M3	10,0	25,0	100
10832MA9226.0	SW 5.0	M3	10,0	26,0	100
10832MA9227.0	SW 5.0	M3	10,0	27,0	100
10832MA9228.0	SW 5.0	M3	10,0	28,0	100
10832MA9229.0	SW 5.0	M3	10,0	29,0	100
10832MA9230.0	SW 5.0	M3	10,0	30,0	100
10833MA9205.0	SW 5.5	M3	T	5,0	100
10833MA9206.0	SW 5.5	M3	T	6,0	100
10833MA9207.0	SW 5.5	M3	T	7,0	100
10833MA9208.0	SW 5.5	M3	T	8,0	100
10833MA9209.0	SW 5.5	M3	T	9,0	100
10833MA9210.0	SW 5.5	M3	T	10,0	100
10833MA9211.0	SW 5.5	M3	T	11,0	100
10833MA9212.0	SW 5.5	M3	T	12,0	100
10833MA9213.0	SW 5.5	M3	T	13,0	100
10833MA9214.0	SW 5.5	M3	T	14,0	100
10833MA9215.0	SW 5.5	M3	T	15,0	100
10833MA9216.0	SW 5.5	M3	8,0	16,0	100

Codice	A	B	C	D	Conf./pezzi
10833MA9217.0	SW 5.5	M3	8,0	17,0	100
10833MA9218.0	SW 5.5	M3	8,0	18,0	100
10833MA9219.0	SW 5.5	M3	8,0	19,0	100
10833MA9220.0	SW 5.5	M3	8,0	20,0	100
10833MA9221.0	SW 5.5	M3	10,0	21,0	100
10833MA9222.0	SW 5.5	M3	10,0	22,0	100
10833MA9223.0	SW 5.5	M3	10,0	23,0	100
10833MA9224.0	SW 5.5	M3	10,0	24,0	100
10833MA9225.0	SW 5.5	M3	10,0	25,0	100
10833MA9226.0	SW 5.5	M3	10,0	26,0	100
10833MA9227.0	SW 5.5	M3	10,0	27,0	100
10833MA9228.0	SW 5.5	M3	10,0	28,0	100
10833MA9229.0	SW 5.5	M3	10,0	29,0	100
10833MA9230.0	SW 5.5	M3	10,0	30,0	100