

## DISTANZIATORI FILETTATI UNC4.40 CILINDRICI Ø 6,0



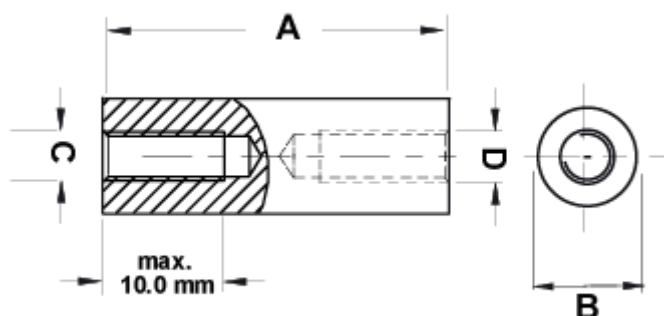
### Descrizione tecnica

**Materiale:** PA 6 , 25%GV

**Autoestinguenza:** HB (UL 94)

**Colore:** nero

**Temperatura esercizio:** -30°C ~ +100°C



Codice	A	B	C	D	Conf./pezzi
10040BB0105.0	5,0	Ø 6,0	UNC4.40	UNC4.40	500
10040BB0106.0	6,0	Ø 6,0	UNC4.40	UNC4.40	500
10040BB0107.0	7,0	Ø 6,0	UNC4.40	UNC4.40	500
10040BB0108.0	8,0	Ø 6,0	UNC4.40	UNC4.40	500
10040BB0109.0	9,0	Ø 6,0	UNC4.40	UNC4.40	500
10040BB0110.0	10,0	Ø 6,0	UNC4.40	UNC4.40	500
10040BB0111.0	11,0	Ø 6,0	UNC4.40	UNC4.40	500
10040BB0112.0	12,0	Ø 6,0	UNC4.40	UNC4.40	500
10040BB0113.0	13,0	Ø 6,0	UNC4.40	UNC4.40	500
10040BB0114.0	14,0	Ø 6,0	UNC4.40	UNC4.40	500

Codice	A	B	C	D	Conf./pezzi
10040BB0115.0	15,0	Ø 6,0	UNC4.40	UNC4.40	500
10040BB0116.0	16,0	Ø 6,0	UNC4.40	UNC4.40	500
10040BB0117.0	17,0	Ø 6,0	UNC4.40	UNC4.40	500
10040BB0118.0	18,0	Ø 6,0	UNC4.40	UNC4.40	500
10040BB0119.0	19,0	Ø 6,0	UNC4.40	UNC4.40	500
10040BB0120.0	20,0	Ø 6,0	UNC4.40	UNC4.40	500
10040BB0121.0	21,0	Ø 6,0	UNC4.40	UNC4.40	500
10040BB0122.0	22,0	Ø 6,0	UNC4.40	UNC4.40	500
10040BB0123.0	23,0	Ø 6,0	UNC4.40	UNC4.40	500
10040BB0124.0	24,0	Ø 6,0	UNC4.40	UNC4.40	500
10040BB0125.0	25,0	Ø 6,0	UNC4.40	UNC4.40	500
10040BB0126.0	26,0	Ø 6,0	UNC4.40	UNC4.40	500
10040BB0127.0	27,0	Ø 6,0	UNC4.40	UNC4.40	500
10040BB0128.0	28,0	Ø 6,0	UNC4.40	UNC4.40	500
10040BB0129.0	29,0	Ø 6,0	UNC4.40	UNC4.40	500
10040BB0130.0	30,0	Ø 6,0	UNC4.40	UNC4.40	500
10040BB0131.0	31,0	Ø 6,0	UNC4.40	UNC4.40	500
10040BB0132.0	32,0	Ø 6,0	UNC4.40	UNC4.40	500
10040BB0133.0	33,0	Ø 6,0	UNC4.40	UNC4.40	500
10040BB0134.0	34,0	Ø 6,0	UNC4.40	UNC4.40	500
10040BB0135.0	35,0	Ø 6,0	UNC4.40	UNC4.40	500
10040BB0136.0	36,0	Ø 6,0	UNC4.40	UNC4.40	500
10040BB0137.0	37,0	Ø 6,0	UNC4.40	UNC4.40	500
10040BB0138.0	38,0	Ø 6,0	UNC4.40	UNC4.40	500
10040BB0139.0	39,0	Ø 6,0	UNC4.40	UNC4.40	500
10040BB0140.0	40,0	Ø 6,0	UNC4.40	UNC4.40	500
10040BB0141.0	41,0	Ø 6,0	UNC4.40	UNC4.40	500
10040BB0142.0	42,0	Ø 6,0	UNC4.40	UNC4.40	500
10040BB0143.0	43,0	Ø 6,0	UNC4.40	UNC4.40	500
10040BB0144.0	44,0	Ø 6,0	UNC4.40	UNC4.40	500
10040BB0145.0	45,0	Ø 6,0	UNC4.40	UNC4.40	500

Codice	A	B	C	D	Conf./pezzi
10040BB0146.0	46,0	Ø 6,0	UNC4.40	UNC4.40	500
10040BB0147.0	47,0	Ø 6,0	UNC4.40	UNC4.40	500
10040BB0148.0	48,0	Ø 6,0	UNC4.40	UNC4.40	500
10040BB0149.0	49,0	Ø 6,0	UNC4.40	UNC4.40	500
10040BB0150.0	50,0	Ø 6,0	UNC4.40	UNC4.40	500
10040BB0151.0	51,0	Ø 6,0	UNC4.40	UNC4.40	500
10040BB0152.0	52,0	Ø 6,0	UNC4.40	UNC4.40	500
10040BB0153.0	53,0	Ø 6,0	UNC4.40	UNC4.40	500
10040BB0154.0	54,0	Ø 6,0	UNC4.40	UNC4.40	500
10040BB0155.0	55,0	Ø 6,0	UNC4.40	UNC4.40	500
10040BB0156.0	56,0	Ø 6,0	UNC4.40	UNC4.40	500
10040BB0157.0	57,0	Ø 6,0	UNC4.40	UNC4.40	500
10040BB0158.0	58,0	Ø 6,0	UNC4.40	UNC4.40	500
10040BB0159.0	59,0	Ø 6,0	UNC4.40	UNC4.40	500
10040BB0160.0	60,0	Ø 6,0	UNC4.40	UNC4.40	500