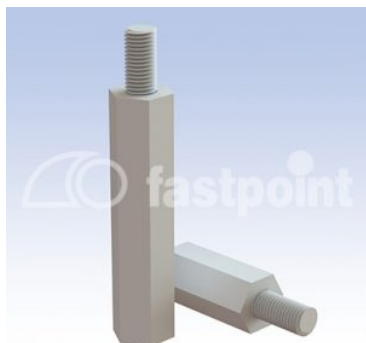


DISTANZIATORI ESAGONALI FILETTATI METRICI M3X0,5



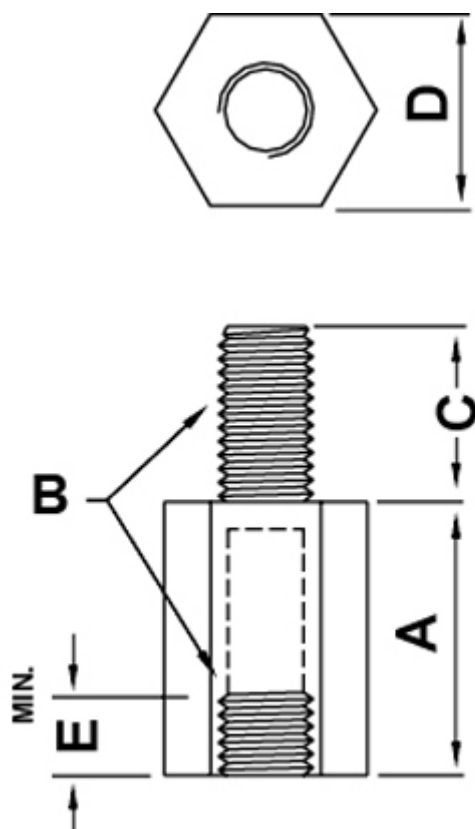
Descrizione tecnica

Materiale: PA 6.6

Autoestinguenza: V2 (UL 94)

Colore: naturale

Tutte le quote sono in mm



Codice	A	B	C	D	E	Conf./pezzi
12277AA00	4,0	M3x0,5	6,0	5,5	3,0	1.000
5691AA00	5,0	M3x0,5	6,0	5,5	3,0	1.000

Codice	A	B	C	D	E	Conf./pezzi
5692AA00	6,0	M3x0,5	6,0	5,5	4,0	1.000
5693AA00	7,0	M3x0,5	6,0	5,5	5,0	1.000
12278AA00	7,5	M3x0,5	6,0	5,5	5,0	1.000
5694AA00	8,0	M3x0,5	6,0	5,5	6,0	1.000
12279AA00	8,5	M3x0,5	6,0	5,5	6,0	1.000
5695AA00	9,0	M3x0,5	6,0	5,5	6,0	1.000
5696AA00	10,0	M3x0,5	6,0	5,5	6,0	1.000
5697AA00	10,5	M3x0,5	6,0	5,5	6,0	1.000
5698AA00	11,0	M3x0,5	6,0	5,5	6,0	1.000
5700AA00	12,0	M3x0,5	6,0	5,5	6,0	1.000
5699AA00	12,7	M3x0,5	6,0	5,5	6,0	1.000
5701AA00	13,0	M3x0,5	6,0	5,5	6,0	1.000
5702AA00	14,0	M3x0,5	6,0	5,5	6,0	1.000
5703AA00	15,0	M3x0,5	6,0	5,5	6,0	1.000
12280AA00	15,5	M3x0,5	6,0	5,5	6,0	1.000
5704AA00	16,0	M3x0,5	6,0	5,5	6,0	1.000
5705AA00	165,0	M3x0,5	6,0	5,5	6,0	1.000
5706AA00	17,0	M3x0,5	6,0	5,5	6,0	1.000
5707AA00	18,0	M3x0,5	6,0	5,5	6,0	1.000
5708AA00	18,5	M3x0,5	6,0	5,5	6,0	1.000
5709AA00	19,0	M3x0,5	6,0	5,5	6,0	1.000
5710AA00	20,0	M3x0,5	6,0	5,5	6,0	1.000
5711AA00	21,0	M3x0,5	6,0	5,5	6,0	1.000
5712AA00	22,0	M3x0,5	6,0	5,5	6,0	1.000
5713AA00	24,5	M3x0,5	6,0	5,5	6,0	1.000
5714AA00	25,0	M3x0,5	6,0	5,5	6,0	1.000
5715AA00	27,0	M3x0,5	6,0	5,5	6,0	1.000
12281AA00	28,0	M3x0,5	6,0	5,5	6,0	1.000
12282AA00	28,5	M3x0,5	6,0	5,5	6,0	1.000
5716AA00	30,0	M3x0,5	6,0	5,5	6,0	1.000
5717AA00	33,0	M3x0,5	6,0	5,5	6,0	1.000

Codice	A	B	C	D	E	Conf./pezzi
12283AA00	34,5	M3x0,5	6,0	5,5	6,0	1.000
5718AA00	35,0	M3x0,5	6,0	5,5	6,0	1.000
12284AA00	36,0	M3x0,5	6,0	5,5	6,0	1.000
12285AA00	40,0	M3x0,5	6,0	5,5	6,0	1.000
12286AA00	45,0	M3x0,5	6,0	5,5	6,0	1.000