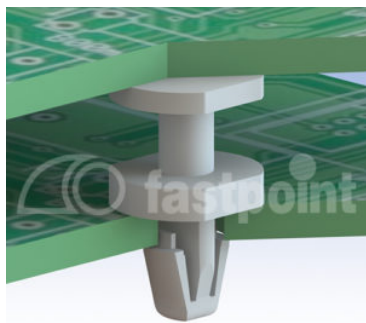


DISTANZIATORI DA APPOGGIO



Descrizione tecnica

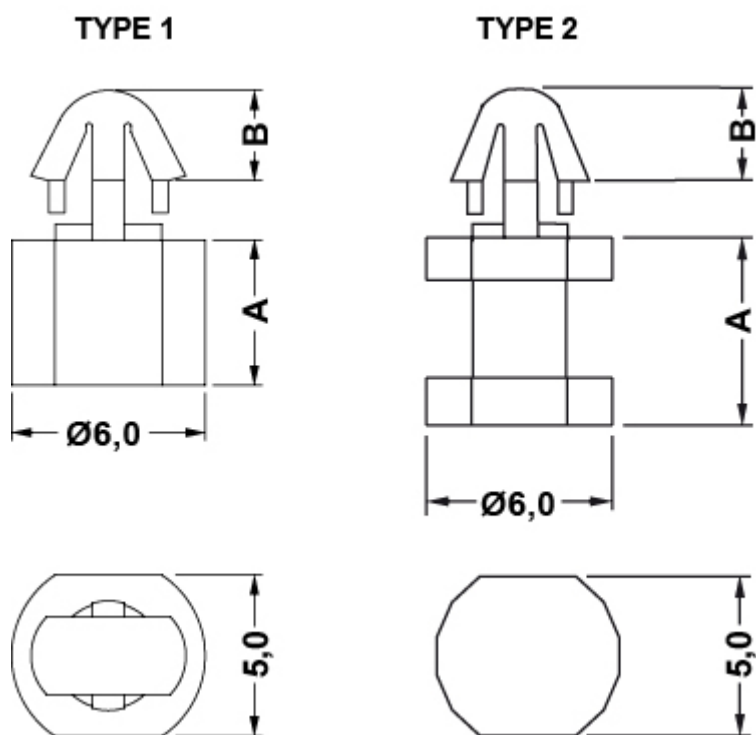
Materiale: PA 6.6

Colore: Naturale

Autoestinguenza: V2 (UL94)

Temperatura d'esercizio: -35°C ~ +85°C

Tutte le quote sono in mm



Codice	Type	A	B	C	D	Foro	Spessore	Conf./pezzi
11435AA0003.0	1	3,0	2,8	Ø 6,0	5,0	Ø 3,5	1,6	1.000
11435AA0003.5	1	3,5	2,8	Ø 6,0	5,0	Ø 3,5	1,6	1.000

Codice	Type	A	B	C	D	Foro	Spessore	Conf./pezzi
11435AA0004.0	1	4,0	2,8	Ø 6,0	5,0	Ø 3,5	1,6	1.000
11435AA0005.0	2	5,0	2,8	Ø 6,0	5,0	Ø 3,5	1,6	1.000
11435AA0005.5	2	5,5	2,8	Ø 6,0	5,0	Ø 3,5	1,6	1.000
11435AA0006.0	2	60,0	2,8	Ø 6,0	5,0	Ø 3,5	1,6	1.000
11435AA0006.5	2	6,5	2,8	Ø 6,0	5,0	Ø 3,5	1,6	1.000
11435AA0007.0	2	7,0	2,8	Ø 6,0	5,0	Ø 3,5	1,6	1.000
11435AA0009.0	2	9,0	2,8	Ø 6,0	5,0	Ø 3,5	1,6	1.000
11435AA0010.0	2	10,0	2,8	Ø 6,0	5,0	Ø 3,5	1,6	1.000
11435AA0013.0	2	13,0	2,8	Ø 6,0	5,0	Ø 3,5	1,6	1.000
11435AA0013.5	2	13,5	2,8	Ø 6,0	5,0	Ø 3,5	1,6	1.000
11435AA0026.0	2	26,0	2,8	Ø 6,0	5,0	Ø 3,5	1,6	1.000