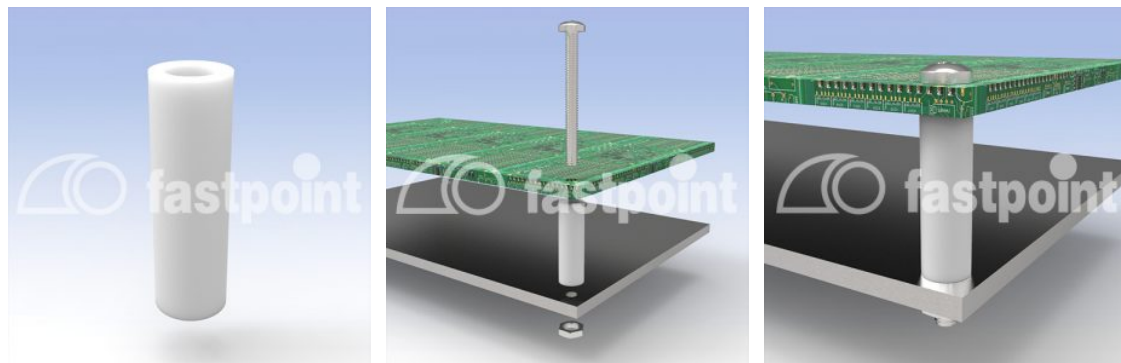


DISTANZIATORI CILINDRICI Ø 7,0



Descrizione tecnica

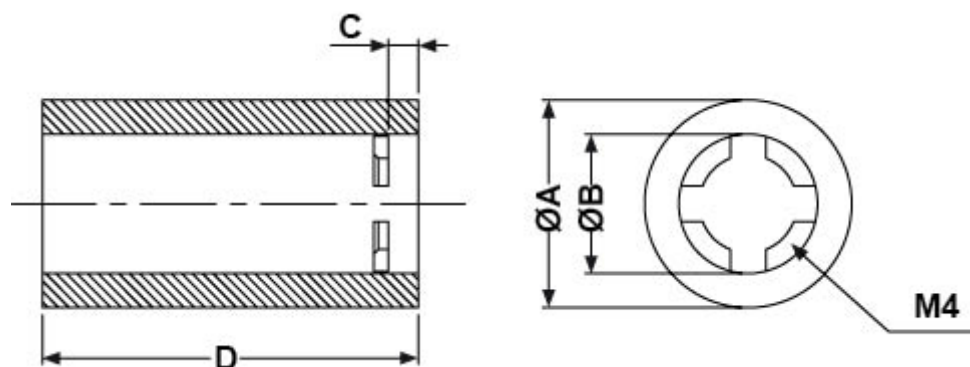
Materiale: PA 6.6

Colore: naturale

Autoestinguenza: V2 (UL 94)

Temperatura esercizio: -35°C ~ +85°C

Tutte le quote sono in mm



Codice	A	B	C	D	Conf./pezzi
11455AA0001.5	7,0	4,7	1,0	1,5	2.000
11455AA0002.0	7,0	4,7	1,0	2,0	2.000
11455AA0003.0	7,0	4,7	1,0	3,0	2.000
11455AA0004.0	7,0	4,7	1,0	4,0	2.000
11455AA0005.0	7,0	4,7	1,0	5,0	2.000
11455AA0006.0	7,0	4,7	1,0	6,0	2.000
11455AA0006.3	7,0	4,7	1,0	6,3	2.000
11455AA0007.0	7,0	4,7	1,0	7,0	2.000
11455AA0008.0	7,0	4,7	1,0	8,0	2.000
11455AA0009.0	7,0	4,7	1,0	9,0	2.000
11455AA0010.0	7,0	4,7	1,0	10,0	2.000

Codice	A	B	C	D	Conf./pezzi
11455AA0011.0	7,0	4,7	1,0	11,0	2.000
11455AA0012.0	7,0	4,7	1,0	12,0	2.000
11455AA0013.0	7,0	4,7	1,0	13,0	2.000
11455AA0014.0	7,0	4,7	1,0	14,0	2.000
11455AA0015.0	7,0	4,7	1,0	15,0	2.000
11455AA0015.9	7,0	4,7	1,0	15,9	2.000
11455AA0016.0	7,0	4,7	1,0	16,0	2.000
11455AA0017.0	7,0	4,7	1,0	17,0	2.000
11455AA0018.0	7,0	4,7	1,0	18,0	2.000
11455AA0019.0	7,0	4,7	1,0	19,0	2.000
11455AA0020.0	7,0	4,7	1,0	20,0	1.000
11455AA0021.0	7,0	4,7	1,0	21,0	1.000
11455AA0022.0	7,0	4,7	1,0	22,0	1.000
11455AA0023.0	7,0	4,7	1,0	23,0	1.000
11455AA0024.0	7,0	4,7	1,0	24,0	1.000
11455AA0025.0	7,0	4,7	1,0	25,0	1.000
11455AA0025.4	7,0	4,7	1,0	25,4	1.000
11455AA0026.0	7,0	4,7	1,0	26,0	1.000
11455AA0027.0	7,0	4,7	1,0	27,0	1.000
11455AA0028.0	7,0	4,7	1,0	28,0	1.000
11455AA0029.0	7,0	4,7	1,0	29,0	1.000
11455AA0030.0	7,0	4,7	1,0	30,0	1.000