

DISTANZIATORI CILINDRICI Ø 12,0



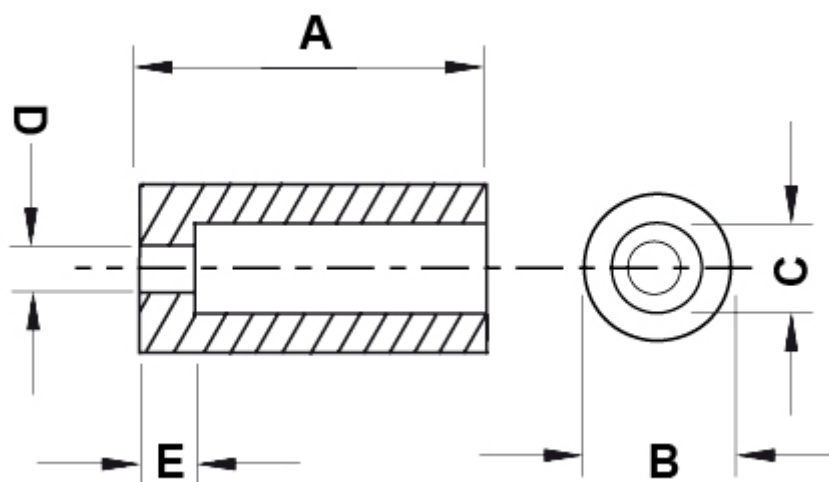
Descrizione tecnica

Materiale: PA 6 25%GV

Autoestinguenza: HB (UL 94)

Colore: nero

Temperatura esercizio: -35°C ~ +110°C



| Codice | A | B | C | D | E | Conf./pezzi |
|---------------|------|--------|-------|-------|-----|-------------|
| 10081BB0105.0 | 5,0 | Ø 12,0 | Ø 8,2 | Ø 4,2 | 2,0 | 500 |
| 10081BB0106.0 | 6,0 | Ø 12,0 | Ø 8,2 | Ø 4,2 | 2,0 | 500 |
| 10081BB0107.0 | 7,0 | Ø 12,0 | Ø 8,2 | Ø 4,2 | 2,0 | 500 |
| 10081BB0108.0 | 8,0 | Ø 12,0 | Ø 8,2 | Ø 4,2 | 2,0 | 500 |
| 10081BB0109.0 | 9,0 | Ø 12,0 | Ø 8,2 | Ø 4,2 | 2,0 | 500 |
| 10081BB0110.0 | 10,0 | Ø 12,0 | Ø 8,2 | Ø 4,2 | 2,0 | 500 |
| 10081BB0111.0 | 11,0 | Ø 12,0 | Ø 8,2 | Ø 4,2 | 2,0 | 500 |

| Codice | A | B | C | D | E | Conf./pezzi |
|---------------|------|--------|-------|-------|-----|-------------|
| 10081BB0112.0 | 12,0 | Ø 12,0 | Ø 8,2 | Ø 4,2 | 2,0 | 500 |
| 10081BB0113.0 | 13,0 | Ø 12,0 | Ø 8,2 | Ø 4,2 | 2,0 | 500 |
| 10081BB0114.0 | 14,0 | Ø 12,0 | Ø 8,2 | Ø 4,2 | 2,0 | 500 |
| 10081BB0115.0 | 15,0 | Ø 12,0 | Ø 8,2 | Ø 4,2 | 2,0 | 500 |
| 10081BB0116.0 | 16,0 | Ø 12,0 | Ø 8,2 | Ø 4,2 | 2,0 | 500 |
| 10081BB0117.0 | 17,0 | Ø 12,0 | Ø 8,2 | Ø 4,2 | 2,0 | 500 |
| 10081BB0118.0 | 18,0 | Ø 12,0 | Ø 8,2 | Ø 4,2 | 2,0 | 500 |
| 10081BB0119.0 | 19,0 | Ø 12,0 | Ø 8,2 | Ø 4,2 | 2,0 | 500 |
| 10081BB0120.0 | 20,0 | Ø 12,0 | Ø 8,2 | Ø 4,2 | 2,0 | 500 |
| 10081BB0121.0 | 21,0 | Ø 12,0 | Ø 8,2 | Ø 4,2 | 2,0 | 500 |
| 10081BB0122.0 | 22,0 | Ø 12,0 | Ø 8,2 | Ø 4,2 | 2,0 | 500 |
| 10081BB0123.0 | 23,0 | Ø 12,0 | Ø 8,2 | Ø 4,2 | 2,0 | 500 |
| 10081BB0124.0 | 24,0 | Ø 12,0 | Ø 8,2 | Ø 4,2 | 2,0 | 500 |
| 10081BB0125.0 | 25,0 | Ø 12,0 | Ø 8,2 | Ø 4,2 | 2,0 | 500 |
| 10081BB0126.0 | 26,0 | Ø 12,0 | Ø 8,2 | Ø 4,2 | 2,0 | 500 |
| 10081BB0127.0 | 27,0 | Ø 12,0 | Ø 8,2 | Ø 4,2 | 2,0 | 500 |
| 10081BB0128.0 | 28,0 | Ø 12,0 | Ø 8,2 | Ø 4,2 | 2,0 | 500 |
| 10081BB0129.0 | 29,0 | Ø 12,0 | Ø 8,2 | Ø 4,2 | 2,0 | 500 |
| 10081BB0130.0 | 30,0 | Ø 12,0 | Ø 8,2 | Ø 4,2 | 2,0 | 500 |
| 10081BB0131.0 | 31,0 | Ø 12,0 | Ø 8,2 | Ø 4,2 | 2,0 | 500 |
| 10081BB0132.0 | 32,0 | Ø 12,0 | Ø 8,2 | Ø 4,2 | 2,0 | 500 |
| 10081BB0133.0 | 33,0 | Ø 12,0 | Ø 8,2 | Ø 4,2 | 2,0 | 500 |
| 10081BB0134.0 | 34,0 | Ø 12,0 | Ø 8,2 | Ø 4,2 | 2,0 | 500 |
| 10081BB0135.0 | 35,0 | Ø 12,0 | Ø 8,2 | Ø 4,2 | 2,0 | 500 |
| 10081BB0136.0 | 36,0 | Ø 12,0 | Ø 8,2 | Ø 4,2 | 2,0 | 500 |
| 10081BB0137.0 | 37,0 | Ø 12,0 | Ø 8,2 | Ø 4,2 | 2,0 | 500 |
| 10081BB0138.0 | 38,0 | Ø 12,0 | Ø 8,2 | Ø 4,2 | 2,0 | 500 |
| 10081BB0139.0 | 39,0 | Ø 12,0 | Ø 8,2 | Ø 4,2 | 2,0 | 500 |
| 10081BB0140.0 | 40,0 | Ø 12,0 | Ø 8,2 | Ø 4,2 | 2,0 | 500 |
| 10081BB0141.0 | 41,0 | Ø 12,0 | Ø 8,2 | Ø 4,2 | 2,0 | 500 |
| 10081BB0142.0 | 42,0 | Ø 12,0 | Ø 8,2 | Ø 4,2 | 2,0 | 500 |

| Codice | A | B | C | D | E | Conf./pezzi |
|---------------|------|--------|-------|-------|-----|-------------|
| 10081BB0143.0 | 43,0 | Ø 12,0 | Ø 8,2 | Ø 4,2 | 2,0 | 500 |
| 10081BB0144.0 | 44,0 | Ø 12,0 | Ø 8,2 | Ø 4,2 | 2,0 | 500 |
| 10081BB0145.0 | 45,0 | Ø 12,0 | Ø 8,2 | Ø 4,2 | 2,0 | 500 |
| 10081BB0146.0 | 46,0 | Ø 12,0 | Ø 8,2 | Ø 4,2 | 2,0 | 500 |
| 10081BB0147.0 | 47,0 | Ø 12,0 | Ø 8,2 | Ø 4,2 | 2,0 | 500 |
| 10081BB0148.0 | 48,0 | Ø 12,0 | Ø 8,2 | Ø 4,2 | 2,0 | 500 |
| 10081BB0149.0 | 49,0 | Ø 12,0 | Ø 8,2 | Ø 4,2 | 2,0 | 500 |
| 10081BB0150.0 | 50,0 | Ø 12,0 | Ø 8,2 | Ø 4,2 | 2,0 | 500 |