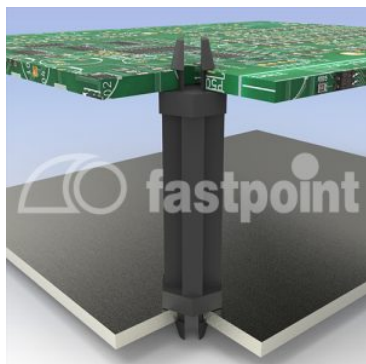


# DISTANZIATORI A DOPPIO INNESTO RAPIDO FORO SUP. Ø 4,0 FORO INF. Ø 4,0



## Descrizione tecnica

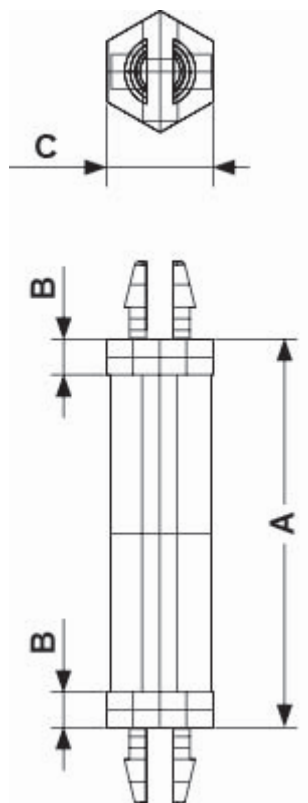
Materiale: PA 6.6

Colore: Nero

Autoestinguenza: V2 (UL94)

Temperatura d'esercizio: -35°C ~ +85°C

Tutte le quote sono in mm



Codice	A	B	C	Foro superiore	Spessore sup.	Foro inferiore	Spessore inf.	Conf./pezzi
12914AA0103.00	3,0	2,0	6,0	Ø 4,0	2,0	Ø 4,0	2,0	500
12914AA0104.00	4,0	2,0	6,0	Ø 4,0	2,0	Ø 4,0	2,0	500
12914AA0105.00	5,0	2,0	6,0	Ø 4,0	2,0	Ø 4,0	2,0	500
12914AA0106.00	6,0	2,0	6,0	Ø 4,0	2,0	Ø 4,0	2,0	500
12914AA0107.00	7,0	2,0	6,0	Ø 4,0	2,0	Ø 4,0	2,0	500
12914AA0108.00	8,0	2,0	6,0	Ø 4,0	2,0	Ø 4,0	2,0	500
12914AA0109.00	9,0	2,0	6,0	Ø 4,0	2,0	Ø 4,0	2,0	500
12914AA0110.00	10,0	2,0	6,0	Ø 4,0	2,0	Ø 4,0	2,0	500
12914AA0111.00	11,0	2,0	6,0	Ø 4,0	2,0	Ø 4,0	2,0	500
12914AA0112.00	12,0	2,0	6,0	Ø 4,0	2,0	Ø 4,0	2,0	500
12914AA0113.00	13,0	2,0	6,0	Ø 4,0	2,0	Ø 4,0	2,0	500
12914AA0114.00	14,0	2,0	6,0	Ø 4,0	2,0	Ø 4,0	2,0	500
12914AA0115.00	15,0	2,0	6,0	Ø 4,0	2,0	Ø 4,0	2,0	500
12914AA0116.00	16,0	2,0	6,0	Ø 4,0	2,0	Ø 4,0	2,0	500
12914AA0117.00	17,0	2,0	6,0	Ø 4,0	2,0	Ø 4,0	2,0	500
12914AA0118.00	18,0	2,0	6,0	Ø 4,0	2,0	Ø 4,0	2,0	500
12914AA0119.00	19,0	2,0	6,0	Ø 4,0	2,0	Ø 4,0	2,0	500
12914AA0120.00	20,0	2,0	6,0	Ø 4,0	2,0	Ø 4,0	2,0	500
12914AA0121.00	21,0	2,0	6,0	Ø 4,0	2,0	Ø 4,0	2,0	500
12914AA0122.00	22,0	2,0	6,0	Ø 4,0	2,0	Ø 4,0	2,0	500
12914AA0123.00	23,0	2,0	6,0	Ø 4,0	2,0	Ø 4,0	2,0	500
12914AA0124.00	24,0	2,0	6,0	Ø 4,0	2,0	Ø 4,0	2,0	500
12914AA0125.00	25,0	2,0	6,0	Ø 4,0	2,0	Ø 4,0	2,0	500
12914AA0126.00	26,0	2,0	6,0	Ø 4,0	2,0	Ø 4,0	2,0	500
12914AA0127.00	27,0	2,0	6,0	Ø 4,0	2,0	Ø 4,0	2,0	500
12914AA0128.00	28,0	2,0	6,0	Ø 4,0	2,0	Ø 4,0	2,0	500
12914AA0129.00	29,0	2,0	6,0	Ø 4,0	2,0	Ø 4,0	2,0	500
12914AA0130.00	30,0	2,0	6,0	Ø 4,0	2,0	Ø 4,0	2,0	500
12914AA0131.00	31,0	2,0	6,0	Ø 4,0	2,0	Ø 4,0	2,0	500
12914AA0132.00	32,0	2,0	6,0	Ø 4,0	2,0	Ø 4,0	2,0	500
12914AA0133.00	33,0	2,0	6,0	Ø 4,0	2,0	Ø 4,0	2,0	500

Codice	A	B	C	Foro superiore	Spessore sup.	Foro inferiore	Spessore inf.	Conf./pezzi
12914AA0134.00	34,0	2,0	6,0	Ø 4,0	2,0	Ø 4,0	2,0	500
12914AA0135.00	35,0	2,0	6,0	Ø 4,0	2,0	Ø 4,0	2,0	500
12914AA0136.00	36,0	2,0	6,0	Ø 4,0	2,0	Ø 4,0	2,0	500
12914AA0137.00	37,0	2,0	6,0	Ø 4,0	2,0	Ø 4,0	2,0	500
12914AA0138.00	38,0	2,0	6,0	Ø 4,0	2,0	Ø 4,0	2,0	500
12914AA0139.00	39,0	2,0	6,0	Ø 4,0	2,0	Ø 4,0	2,0	500
12914AA0140.00	40,0	2,0	6,0	Ø 4,0	2,0	Ø 4,0	2,0	500
12914AA0141.00	41,0	2,0	6,0	Ø 4,0	2,0	Ø 4,0	2,0	500
12914AA0142.00	42,0	2,0	6,0	Ø 4,0	2,0	Ø 4,0	2,0	500
12914AA0143.00	43,0	2,0	6,0	Ø 4,0	2,0	Ø 4,0	2,0	500
12914AA0144.00	44,0	2,0	6,0	Ø 4,0	2,0	Ø 4,0	2,0	500
12914AA0145.00	45,0	2,0	6,0	Ø 4,0	2,0	Ø 4,0	2,0	500
12914AA0146.00	46,0	2,0	6,0	Ø 4,0	2,0	Ø 4,0	2,0	500
12914AA0147.00	47,0	2,0	6,0	Ø 4,0	2,0	Ø 4,0	2,0	500
12914AA0148.00	48,0	2,0	6,0	Ø 4,0	2,0	Ø 4,0	2,0	500
12914AA0149.00	49,0	2,0	6,0	Ø 4,0	2,0	Ø 4,0	2,0	500
12914AA0150.00	50,0	2,0	6,0	Ø 4,0	2,0	Ø 4,0	2,0	500
12914AA0151.00	51,0	2,0	6,0	Ø 4,0	2,0	Ø 4,0	2,0	500
12914AA0152.00	52,0	2,0	6,0	Ø 4,0	2,0	Ø 4,0	2,0	500
12914AA0153.00	53,0	2,0	6,0	Ø 4,0	2,0	Ø 4,0	2,0	500
12914AA0154.00	54,0	2,0	6,0	Ø 4,0	2,0	Ø 4,0	2,0	500
12914AA0155.00	55,0	2,0	6,0	Ø 4,0	2,0	Ø 4,0	2,0	500
12914AA0156.00	56,0	2,0	6,0	Ø 4,0	2,0	Ø 4,0	2,0	500
12914AA0157.00	57,0	2,0	6,0	Ø 4,0	2,0	Ø 4,0	2,0	500
12914AA0158.00	58,0	2,0	6,0	Ø 4,0	2,0	Ø 4,0	2,0	500
12914AA0159.00	59,0	2,0	6,0	Ø 4,0	2,0	Ø 4,0	2,0	500
12914AA0160.00	60,0	2,0	6,0	Ø 4,0	2,0	Ø 4,0	2,0	500
12914AA0161.00	61,0	2,0	6,0	Ø 4,0	2,0	Ø 4,0	2,0	500
12914AA0162.00	62,0	2,0	6,0	Ø 4,0	2,0	Ø 4,0	2,0	500
12914AA0163.00	63,0	2,0	6,0	Ø 4,0	2,0	Ø 4,0	2,0	500
12914AA0164.00	64,0	2,0	6,0	Ø 4,0	2,0	Ø 4,0	2,0	500

Codice	A	B	C	Foro superiore	Spessore sup.	Foro inferiore	Spessore inf.	Conf./pezzi
12914AA0165.00	65,0	2,0	6,0	Ø 4,0	2,0	Ø 4,0	2,0	500