

DISTANZIATORI A DOPPIO INNESTO RAPIDO FORO DI Ø 4,0 - Ø 5,0



Descrizione tecnica

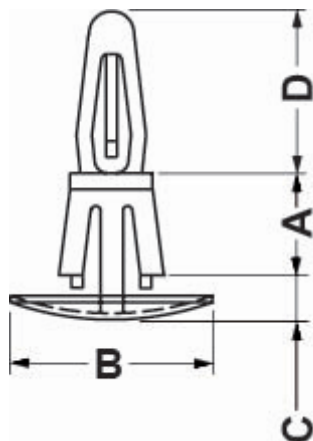
Materiale: PA 6.6

Colore: nero

Autoestinguenza: HB (UL 94)

Temperatura esercizio: -35°C ~ +130°C

Tutte le quote sono in mm



Codice	A	B	C	D	Foro superiore	Spessore sup.	Foro inferiore	Spessore inf.	Conf./pezzi
10008AA0104.0	9,0	1,5	4,0	9,8	Ø 4,0	1,5	Ø 5,0	1,0	500
10008AA0105.0	9,0	1,5	5,0	9,8	Ø 4,0	1,5	Ø 5,0	1,0	500
10008AA0106.0	9,0	1,5	6,0	9,8	Ø 4,0	1,5	Ø 5,0	1,0	500
10008AA0107.0	9,0	1,5	7,0	9,8	Ø 4,0	1,5	Ø 5,0	1,0	500
10008AA0108.0	9,0	1,5	8,0	9,8	Ø 4,0	1,5	Ø 5,0	1,0	500
10008AA0109.0	9,0	1,5	9,0	9,8	Ø 4,0	1,5	Ø 5,0	1,0	500
10008AA0110.0	9,0	1,5	10,0	9,8	Ø 4,0	1,5	Ø 5,0	1,0	500

Codice	A	B	C	D	Foro superiore	Spessore sup.	Foro inferiore	Spessore inf.	Conf./pezzi
10008AA0111.0	9,0	1,5	11,0	9,8	Ø 4,0	1,5	Ø 5,0	1,0	500
10008AA0112.0	9,0	1,5	12,0	9,8	Ø 4,0	1,5	Ø 5,0	1,0	500
10008AA0113.0	9,0	1,5	13,0	9,8	Ø 4,0	1,5	Ø 5,0	1,0	500
10008AA0114.0	9,0	1,5	14,0	9,8	Ø 4,0	1,5	Ø 5,0	1,0	500
10008AA0115.0	9,0	1,5	15,0	9,8	Ø 4,0	1,5	Ø 5,0	1,0	500
10008AA0116.0	9,0	1,5	16,0	9,8	Ø 4,0	1,5	Ø 5,0	1,0	500
10008AA0117.0	9,0	1,5	17,0	9,8	Ø 4,0	1,5	Ø 5,0	1,0	500
10008AA0118.0	9,0	1,5	18,0	9,8	Ø 4,0	1,5	Ø 5,0	1,0	500
10008AA0119.0	9,0	1,5	19,0	9,8	Ø 4,0	1,5	Ø 5,0	1,0	500
10008AA0120.0	9,0	1,5	20,0	9,8	Ø 4,0	1,5	Ø 5,0	1,0	500
10008AA0121.0	9,0	1,5	21,0	9,8	Ø 4,0	1,5	Ø 5,0	1,0	500
10008AA0122.0	9,0	1,5	22,0	9,8	Ø 4,0	1,5	Ø 5,0	1,0	500
10008AA0123.0	9,0	1,5	23,0	9,8	Ø 4,0	1,5	Ø 5,0	1,0	500
10008AA0124.0	9,0	1,5	24,0	9,8	Ø 4,0	1,5	Ø 5,0	1,0	500
10008AA0125.0	9,0	1,5	25,0	9,8	Ø 4,0	1,5	Ø 5,0	1,0	500
10008AA0126.0	9,0	1,5	26,0	9,8	Ø 4,0	1,5	Ø 5,0	1,0	500
10008AA0127.0	9,0	1,5	27,0	9,8	Ø 4,0	1,5	Ø 5,0	1,0	500
10008AA0128.0	9,0	1,5	28,0	9,8	Ø 4,0	1,5	Ø 5,0	1,0	500
10008AA0129.0	9,0	1,5	29,0	9,8	Ø 4,0	1,5	Ø 5,0	1,0	500
10008AA0130.0	9,0	1,5	30,0	9,8	Ø 4,0	1,5	Ø 5,0	1,0	500
10008AA0131.0	9,0	1,5	31,0	9,8	Ø 4,0	1,5	Ø 5,0	1,0	500
10008AA0132.0	9,0	1,5	32,0	9,8	Ø 4,0	1,5	Ø 5,0	1,0	500
10008AA0133.0	9,0	1,5	33,0	9,8	Ø 4,0	1,5	Ø 5,0	1,0	500
10008AA0134.0	9,0	1,5	34,0	9,8	Ø 4,0	1,5	Ø 5,0	1,0	500
10008AA0135.0	9,0	1,5	35,0	9,8	Ø 4,0	1,5	Ø 5,0	1,0	500
10008AA0136.0	9,0	1,5	36,0	9,8	Ø 4,0	1,5	Ø 5,0	1,0	500