

CONTRODADO DIVISIBILE METRICI



Descrizione tecnica

Materiale: PA 66

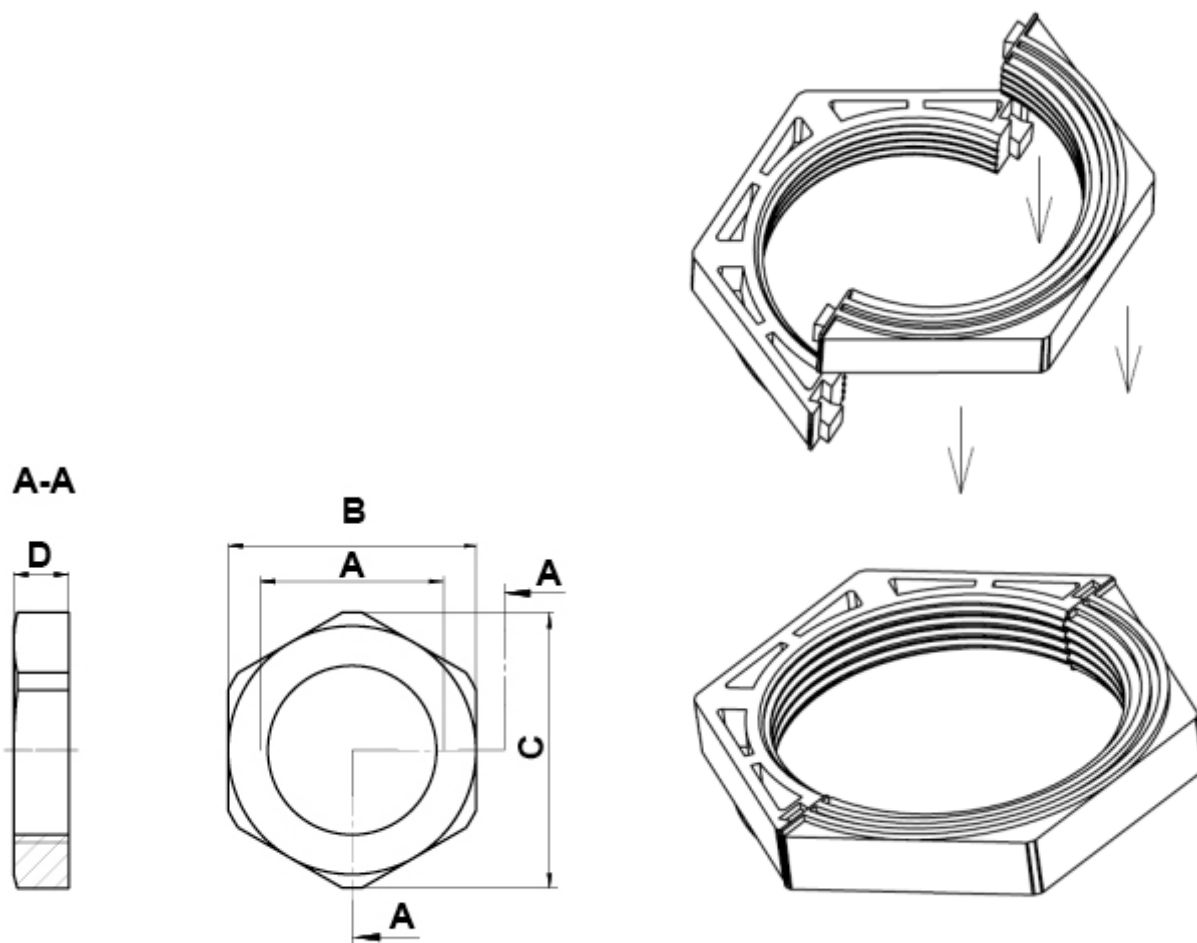
Autoestinguenza : V0 (UL94)

Colore: Nero

Temperatura d'esercizio: -40°C ~ +120°C

Tutte le quote sono in mm

Metrico a norma EN 60423



Codice	A	B	C	D	Conf./pezzi
18083FG01	M20	28,0	31,0	7,0	10
18084FG01	M25	33,0	36,0	7,0	10
18085FG01	M32	40,0	44,0	7,0	10
18086FG01	M40	48,0	53,0	7,0	10
18087FG01	M50	58,0	64,0	7,0	10
18088FG01	M63	72,0	80,0	7,0	10