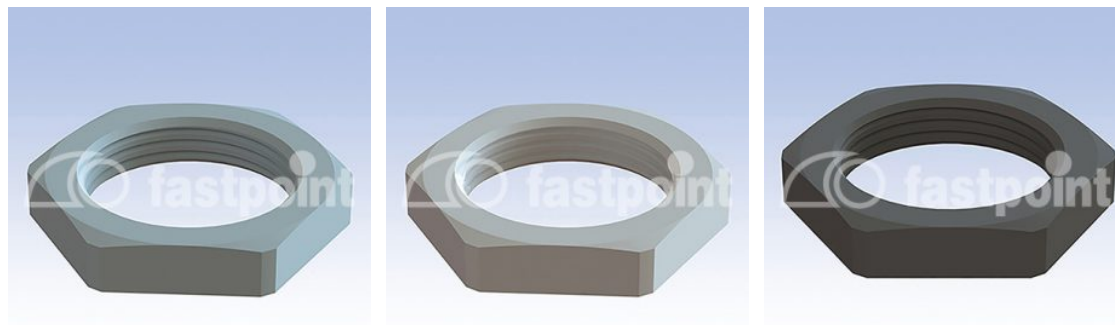


CONTRODADI PASSO PG



Descrizione tecnica

Materiale: PA 6 GF (PG36-PG48 PA 6)

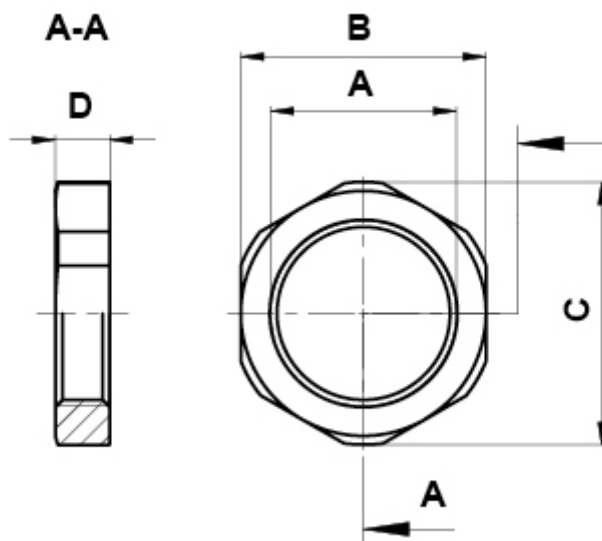
Autoestinguenza : HB (UL94)

Colore: Vedi tabella

Temperatura d'esercizio: -20°C ~ +100°C

Pg secondo DIN 40430

Tutte le quote sono in mm



Codice	A	B	C	D	Colore	Materiale	Conf./pezzi
8530BB117035	Pg 7	19,0	21,0	5,0	RAL 7035	PA 6.6 GF	100
8531BB117035	Pg 9	22,0	24,0	5,0	RAL 7035	PA 6.6 GF	100

Codice	A	B	C	D	Colore	Materiale	Conf./pezzi
8532BB117035	Pg 11	24,0	26,0	5,0	RAL 7035	PA 6.6 GF	100
8533BB117035	Pg 13,5	27,0	29,0	6,0	RAL 7035	PA 6.6 GF	100
8534BB117035	Pg 16	30,0	33,0	6,0	RAL 7035	PA 6.6 GF	100
8535BB117035	Pg 21	36,0	39,0	7,0	RAL 7035	PA 6.6 GF	100
8536BB117035	Pg 29	46,0	50,0	7,0	RAL 7035	PA 6.6 GF	100
8537BB117035	pg.36	60,0	66,0	8,0	RAL 7035	PA 6	50
8538AA117035	Pg 42	65,0	72,8	8,0	RAL 7035	PA 6	50
8539AA117035	Pg 48	70,0	78,0	8,0	RAL 7035	PA 6	50
8540BB019005	Pg 7	19,0	21,0	5,0	RAL 9005	PA 6.6 GF	100
8541BB019005	Pg 9	22,0	24,0	5,0	RAL 9005	PA 6.6 GF	100
8542BB019005	Pg 11	24,0	26,0	5,0	RAL 9005	PA 6.6 GF	100
8543BB019005	Pg 13,5	27,0	29,0	6,0	RAL 9005	PA 6.6 GF	100
8544BB019005	Pg 16	30,0	33,0	6,0	RAL 9005	PA 6.6 GF	100
8545BB019005	Pg 21	36,0	39,0	7,0	RAL 9005	PA 6.6 GF	100
8546BB019005	Pg 29	46,0	50,0	7,0	RAL 9005	PA 6.6 GF	100
8547BB019005	pg.36	60,0	66,0	8,0	RAL 9005	PA 6	50
8548AA019005	Pg 42	65,0	72,8	8,0	RAL 9005	PA 6	50
8549AA019005	Pg 48	70,0	78,0	8,0	RAL 9005	PA 6	50
8630BB117001	Pg 7	19,0	21,0	5,0	RAL 7001	PA 6.6 GF	100
8631BB117001	Pg 9	22,0	24,0	5,0	RAL 7001	PA 6.6 GF	100
8632BB117001	Pg 11	24,0	26,0	5,0	RAL 7001	PA 6.6 GF	100
8633BB117001	Pg 13,5	27,0	29,0	6,0	RAL 7001	PA 6.6 GF	100
8634BB117001	Pg 16	30,0	33,0	6,0	RAL 7001	PA 6.6 GF	100
8635BB117001	Pg 21	36,0	39,0	7,0	RAL 7001	PA 6.6 GF	100
8636BB117001	Pg 29	46,0	50,0	7,0	RAL 7001	PA 6.6 GF	100
8637BB117001	pg.36	60,0	66,0	8,0	RAL 7001	PA 6	50
8638AA117001	Pg 42	65,0	72,8	8,0	RAL 7001	PA 6	50
8639AA117001	Pg 48	70,0	78,0	8,0	RAL 7001	PA 6	50