

CATENE PORTACAVI



Descrizione tecnica

Materiale: PA 6.6

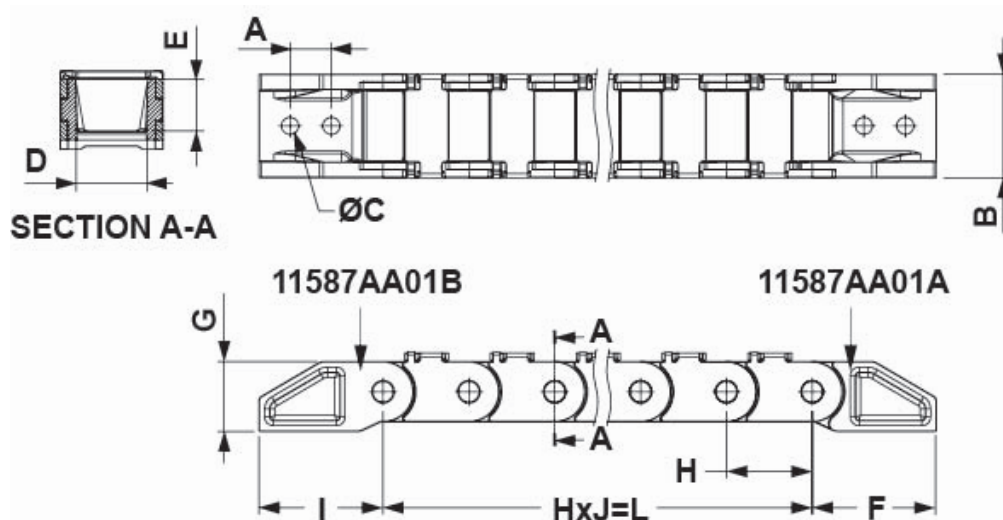
Colore: Nero

Autoestinguenza: V2 (UL 94)

Temperatura esercizio: -35°C ~ +85°C

J: Quantità

Tutte le quote sono in mm.



Codice	A	B	C	D	E	F	G	H	I	J	Conf./pezzi
11587AA0105	8,0	20,0	M3	13,6	9,9	24,0	13,5	16,6	24,0	5,0	1.000
11587AA0110	8,0	20,0	M3	13,6	9,9	24,0	13,5	16,6	24,0	10,0	1.000
11587AA0115	8,0	20,0	M3	13,6	9,9	24,0	13,5	16,6	24,0	15,0	1.000
11587AA0120	8,0	20,0	M3	13,6	9,9	24,0	13,5	16,6	24,0	20,0	1.000
11587AA0125	8,0	20,0	M3	13,6	9,9	24,0	13,5	16,6	24,0	25,0	1.000
11587AA0130	8,0	20,0	M3	13,6	9,9	24,0	13,5	16,6	24,0	30,0	1.000
11587AA0135	8,0	20,0	M3	13,6	9,9	24,0	13,5	16,6	24,0	35,0	1.000
11587AA0140	8,0	20,0	M3	13,6	9,9	24,0	13,5	16,6	24,0	40,0	1.000

Codice	A	B	C	D	E	F	G	H	I	J	Conf./pezzi
11587AA0145	8,0	20,0	M3	13,6	9,9	24,0	13,5	16,6	24,0	45,0	1.000
11587AA0150	8,0	20,0	M3	13,6	9,9	24,0	13,5	16,6	24,0	50,0	1.000
11587AA0155	8,0	20,0	M3	13,6	9,9	24,0	13,5	16,6	24,0	55,0	1.000
11587AA0160	8,0	20,0	M3	13,6	9,9	24,0	13,5	16,6	24,0	60,0	1.000
11587AA0165	8,0	20,0	M3	13,6	9,9	24,0	13,5	16,6	24,0	65,0	1.000
11587AA0170	8,0	20,0	M3	13,6	9,9	24,0	13,5	16,6	24,0	70,0	1.000
11587AA01A	8,0	20,0	M3	13,6	9,9	24,0	13,5	16,6	24,0	-	1.000
11587AA01B	8,0	20,0	M3	13,6	9,9	24,0	13,5	16,6	24,0	-	1.000