

## SEPARADORES M4 CILÍNDRICOS Ø 7,0



### Descripción Técnica

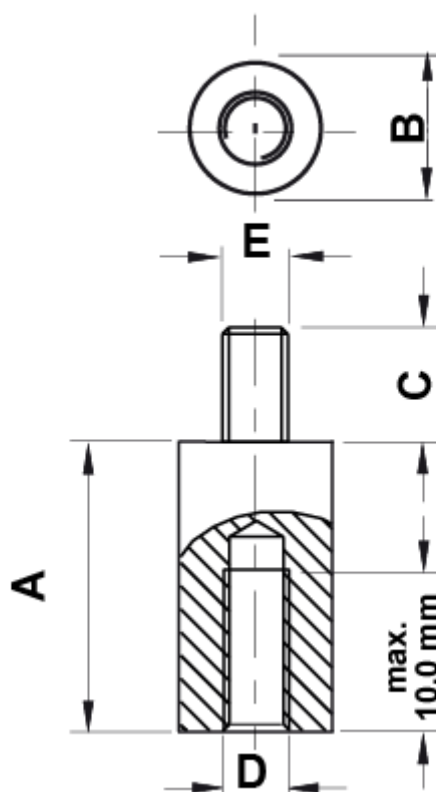
**Material:** PA66

**Color:** Negro

**Autoextinguibilidad:** UL94-HB

**Temperatura de trabajo:** -30°C ~ +150°C

Todas las medidas están indicadas en mm



| Codigo        | A    | B     | C   | D  | E  | Conf./piezas |
|---------------|------|-------|-----|----|----|--------------|
| 10033AA0105.0 | 5,0  | Ø 7,0 | 8,0 | M4 | M4 | 500          |
| 10033AA0106.0 | 6,0  | Ø 7,0 | 8,0 | M4 | M4 | 500          |
| 10033AA0107.0 | 7,0  | Ø 7,0 | 8,0 | M4 | M4 | 500          |
| 10033AA0108.0 | 8,0  | Ø 7,0 | 8,0 | M4 | M4 | 500          |
| 10033AA0109.0 | 9,0  | Ø 7,0 | 8,0 | M4 | M4 | 500          |
| 10033AA0110.0 | 10,0 | Ø 7,0 | 8,0 | M4 | M4 | 500          |
| 10033AA0111.0 | 11,0 | Ø 7,0 | 8,0 | M4 | M4 | 500          |
| 10033AA0112.0 | 12,0 | Ø 7,0 | 8,0 | M4 | M4 | 500          |
| 10033AA0113.0 | 13,0 | Ø 7,0 | 8,0 | M4 | M4 | 500          |
| 10033AA0114.0 | 14,0 | Ø 7,0 | 8,0 | M4 | M4 | 500          |
| 10033AA0115.0 | 15,0 | Ø 7,0 | 8,0 | M4 | M4 | 500          |
| 10033AA0116.0 | 16,0 | Ø 7,0 | 8,0 | M4 | M4 | 500          |
| 10033AA0117.0 | 17,0 | Ø 7,0 | 8,0 | M4 | M4 | 500          |
| 10033AA0118.0 | 18,0 | Ø 7,0 | 8,0 | M4 | M4 | 500          |
| 10033AA0119.0 | 19,0 | Ø 7,0 | 8,0 | M4 | M4 | 500          |
| 10033AA0120.0 | 20,0 | Ø 7,0 | 8,0 | M4 | M4 | 500          |
| 10033AA0121.0 | 21,0 | Ø 7,0 | 8,0 | M4 | M4 | 500          |
| 10033AA0122.0 | 22,0 | Ø 7,0 | 8,0 | M4 | M4 | 500          |
| 10033AA0123.0 | 23,0 | Ø 7,0 | 8,0 | M4 | M4 | 500          |
| 10033AA0124.0 | 24,0 | Ø 7,0 | 8,0 | M4 | M4 | 500          |
| 10033AA0125.0 | 25,0 | Ø 7,0 | 8,0 | M4 | M4 | 500          |
| 10033AA0126.0 | 26,0 | Ø 7,0 | 8,0 | M4 | M4 | 500          |
| 10033AA0127.0 | 27,0 | Ø 7,0 | 8,0 | M4 | M4 | 500          |
| 10033AA0128.0 | 28,0 | Ø 7,0 | 8,0 | M4 | M4 | 500          |
| 10033AA0129.0 | 29,0 | Ø 7,0 | 8,0 | M4 | M4 | 500          |
| 10033AA0130.0 | 30,0 | Ø 7,0 | 8,0 | M4 | M4 | 500          |
| 10033AA0131.0 | 31,0 | Ø 7,0 | 8,0 | M4 | M4 | 500          |
| 10033AA0132.0 | 32,0 | Ø 7,0 | 8,0 | M4 | M4 | 500          |
| 10033AA0133.0 | 33,0 | Ø 7,0 | 8,0 | M4 | M4 | 500          |
| 10033AA0134.0 | 34,0 | Ø 7,0 | 8,0 | M4 | M4 | 500          |
| 10033AA0135.0 | 35,0 | Ø 7,0 | 8,0 | M4 | M4 | 500          |

| Codigo        | A    | B     | C   | D  | E  | Conf./piezas |
|---------------|------|-------|-----|----|----|--------------|
| 10033AA0136.0 | 36,0 | Ø 7,0 | 8,0 | M4 | M4 | 500          |
| 10033AA0137.0 | 37,0 | Ø 7,0 | 8,0 | M4 | M4 | 500          |
| 10033AA0138.0 | 38,0 | Ø 7,0 | 8,0 | M4 | M4 | 500          |
| 10033AA0139.0 | 39,0 | Ø 7,0 | 8,0 | M4 | M4 | 500          |
| 10033AA0140.0 | 40,0 | Ø 7,0 | 8,0 | M4 | M4 | 500          |
| 10033AA0141.0 | 41,0 | Ø 7,0 | 8,0 | M4 | M4 | 500          |
| 10033AA0142.0 | 42,0 | Ø 7,0 | 8,0 | M4 | M4 | 500          |
| 10033AA0143.0 | 43,0 | Ø 7,0 | 8,0 | M4 | M4 | 500          |
| 10033AA0144.0 | 44,0 | Ø 7,0 | 8,0 | M4 | M4 | 500          |
| 10033AA0145.0 | 45,0 | Ø 7,0 | 8,0 | M4 | M4 | 500          |
| 10033AA0146.0 | 46,0 | Ø 7,0 | 8,0 | M4 | M4 | 500          |
| 10033AA0147.0 | 47,0 | Ø 7,0 | 8,0 | M4 | M4 | 500          |
| 10033AA0148.0 | 48,0 | Ø 7,0 | 8,0 | M4 | M4 | 500          |
| 10033AA0149.0 | 49,0 | Ø 7,0 | 8,0 | M4 | M4 | 500          |
| 10033AA0150.0 | 50,0 | Ø 7,0 | 8,0 | M4 | M4 | 500          |
| 10033AA0151.0 | 51,0 | Ø 7,0 | 8,0 | M4 | M4 | 500          |
| 10033AA0152.0 | 52,0 | Ø 7,0 | 8,0 | M4 | M4 | 500          |
| 10033AA0153.0 | 53,0 | Ø 7,0 | 8,0 | M4 | M4 | 500          |
| 10033AA0154.0 | 54,0 | Ø 7,0 | 8,0 | M4 | M4 | 500          |
| 10033AA0155.0 | 55,0 | Ø 7,0 | 8,0 | M4 | M4 | 500          |
| 10033AA0156.0 | 56,0 | Ø 7,0 | 8,0 | M4 | M4 | 500          |
| 10033AA0157.0 | 57,0 | Ø 7,0 | 8,0 | M4 | M4 | 500          |
| 10033AA0158.0 | 58,0 | Ø 7,0 | 8,0 | M4 | M4 | 500          |
| 10033AA0159.0 | 59,0 | Ø 7,0 | 8,0 | M4 | M4 | 500          |
| 10033AA0160.0 | 60,0 | Ø 7,0 | 8,0 | M4 | M4 | 500          |
| 10033AA0161.0 | 61,0 | Ø 7,0 | 8,0 | M4 | M4 | 500          |