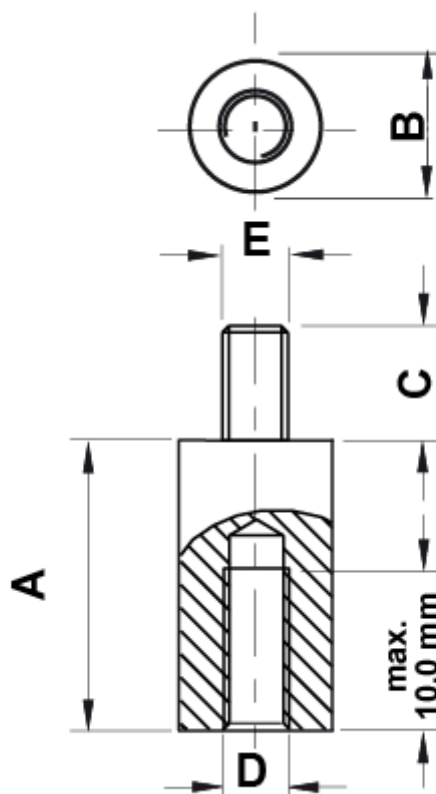


SEPARADORES M2.5 CILÍNDRICOS



Descripción Técnica



Codigo	A	B	C	D	E	Conf./piezas
10030AA0104.0	4,0	Ø 5,0	8,0	M2.5	M2.5	500
10030AA0105.0	5,0	Ø 5,0	8,0	M2.5	M2.5	500
10030AA0106.0	6,0	Ø 5,0	8,0	M2.5	M2.5	500
10030AA0107.0	7,0	Ø 5,0	8,0	M2.5	M2.5	500
10030AA0108.0	8,0	Ø 5,0	8,0	M2.5	M2.5	500
10030AA0109.0	9,0	Ø 5,0	8,0	M2.5	M2.5	500

Codigo	A	B	C	D	E	Conf./piezas
1003AA0110.0	10,0	Ø 5,0	8,0	M2.5	M2.5	500
1003AA0111.0	11,0	Ø 5,0	8,0	M2.5	M2.5	500
1003AA0112.0	12,0	Ø 5,0	8,0	M2.5	M2.5	500
1003AA0113.0	13,0	Ø 5,0	8,0	M2.5	M2.5	500
1003AA0114.0	14,0	Ø 5,0	8,0	M2.5	M2.5	500
1003AA0115.0	15,0	Ø 5,0	8,0	M2.5	M2.5	500
1003AA0116.0	16,0	Ø 5,0	8,0	M2.5	M2.5	500
1003AA0117.0	17,0	Ø 5,0	8,0	M2.5	M2.5	500
1003AA0118.0	18,0	Ø 5,0	8,0	M2.5	M2.5	500
1003AA0119.0	19,0	Ø 5,0	8,0	M2.5	M2.5	500
1003AA0120.0	20,0	Ø 5,0	8,0	M2.5	M2.5	500
1003AA0121.0	21,0	Ø 5,0	8,0	M2.5	M2.5	500
1003AA0122.0	22,0	Ø 5,0	8,0	M2.5	M2.5	500
1003AA0123.0	23,0	Ø 5,0	8,0	M2.5	M2.5	500
1003AA0124.0	24,0	Ø 5,0	8,0	M2.5	M2.5	500
1003AA0125.0	25,0	Ø 5,0	8,0	M2.5	M2.5	500
1003AA0126.0	26,0	Ø 5,0	8,0	M2.5	M2.5	500
1003AA0127.0	27,0	Ø 5,0	8,0	M2.5	M2.5	500
1003AA0128.0	28,0	Ø 5,0	8,0	M2.5	M2.5	500
1003AA0129.0	29,0	Ø 5,0	8,0	M2.5	M2.5	500
1003AA0130.0	30,0	Ø 5,0	8,0	M2.5	M2.5	500
1003AA0131.0	31,0	Ø 5,0	8,0	M2.5	M2.5	500
1003AA0132.0	32,0	Ø 5,0	8,0	M2.5	M2.5	500
1003AA0133.0	33,0	Ø 5,0	8,0	M2.5	M2.5	500
1003AA0134.0	34,0	Ø 5,0	8,0	M2.5	M2.5	500
1003AA0135.0	35,0	Ø 5,0	8,0	M2.5	M2.5	500
1003AA0136.0	36,0	Ø 5,0	8,0	M2.5	M2.5	500
1003AA0137.0	37,0	Ø 5,0	8,0	M2.5	M2.5	500
1003AA0138.0	38,0	Ø 5,0	8,0	M2.5	M2.5	500
1003AA0139.0	39,0	Ø 5,0	8,0	M2.5	M2.5	500
1003AA0140.0	40,0	Ø 5,0	8,0	M2.5	M2.5	500

Codigo	A	B	C	D	E	Conf./piezas
10030AA0141.0	41,0	Ø 5,0	8,0	M2.5	M2.5	500
10030AA0142.0	42,0	Ø 5,0	8,0	M2.5	M2.5	500
10030AA0143.0	43,0	Ø 5,0	8,0	M2.5	M2.5	500
10030AA0144.0	44,0	Ø 5,0	8,0	M2.5	M2.5	500
10030AA0145.0	45,0	Ø 5,0	8,0	M2.5	M2.5	500
10030AA0146.0	46,0	Ø 5,0	8,0	M2.5	M2.5	500
10030AA0147.0	47,0	Ø 5,0	8,0	M2.5	M2.5	500
10030AA0148.0	48,0	Ø 5,0	8,0	M2.5	M2.5	500
10030AA0149.0	49,0	Ø 5,0	8,0	M2.5	M2.5	500
10030AA0150.0	50,0	Ø 5,0	8,0	M2.5	M2.5	500
10030AA0151.0	51,0	Ø 5,0	8,0	M2.5	M2.5	500
10030AA0152.0	52,0	Ø 5,0	8,0	M2.5	M2.5	500
10030AA0153.0	53,0	Ø 5,0	8,0	M2.5	M2.5	500
10030AA0154.0	54,0	Ø 5,0	8,0	M2.5	M2.5	500
10030AA0155.0	55,0	Ø 5,0	8,0	M2.5	M2.5	500