

SEPARADORES CILÍNDRICOS M4 Ø 8,0



Descripción Técnica

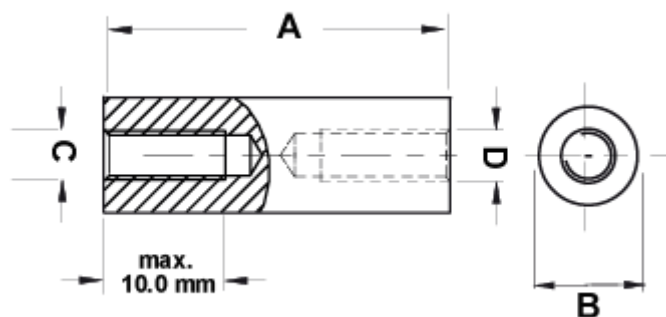
Material: PA6 + 25% FV

Autoextinguibilidad: UL94-HB

Color: Negro

Temperatura de trabajo: -30°C ~ +110°C

Todas las medidas están indicadas en mm



Codigo	A	B	C	D	Conf./piezas
10045BB0104.0	4,0	Ø 8,0	M4	M4	500
10045BB0105.0	5,0	Ø 8,0	M4	M4	500
10045BB0106.0	6,0	Ø 8,0	M4	M4	500
10045BB0107.0	7,0	Ø 8,0	M4	M4	500
10045BB0108.0	8,0	Ø 8,0	M4	M4	500
10045BB0109.0	9,0	Ø 8,0	M4	M4	500
10045BB0110.0	10,0	Ø 8,0	M4	M4	500

Codigo	A	B	C	D	Conf./piezas
10045BB0111.0	11,0	Ø 8,0	M4	M4	500
10045BB0112.0	12,0	Ø 8,0	M4	M4	500
10045BB0113.0	13,0	Ø 8,0	M4	M4	500
10045BB0114.0	14,0	Ø 8,0	M4	M4	500
10045BB0115.0	15,0	Ø 8,0	M4	M4	500
10045BB0116.0	16,0	Ø 8,0	M4	M4	500
10045BB0117.0	17,0	Ø 8,0	M4	M4	500
10045BB0118.0	18,0	Ø 8,0	M4	M4	500
10045BB0119.0	19,0	Ø 8,0	M4	M4	500
10045BB0120.0	20,0	Ø 8,0	M4	M4	500
10045BB0121.0	21,0	Ø 8,0	M4	M4	500
10045BB0122.0	22,0	Ø 8,0	M4	M4	500
10045BB0123.0	23,0	Ø 8,0	M4	M4	500
10045BB0124.0	24,0	Ø 8,0	M4	M4	500
10045BB0125.0	25,0	Ø 8,0	M4	M4	500
10045BB0126.0	26,0	Ø 8,0	M4	M4	500
10045BB0127.0	27,0	Ø 8,0	M4	M4	500
10045BB0128.0	28,0	Ø 8,0	M4	M4	500
10045BB0129.0	29,0	Ø 8,0	M4	M4	500
10045BB0130.0	30,0	Ø 8,0	M4	M4	500
10045BB0131.0	31,0	Ø 8,0	M4	M4	500
10045BB0132.0	32,0	Ø 8,0	M4	M4	500
10045BB0133.0	33,0	Ø 8,0	M4	M4	500
10045BB0134.0	34,0	Ø 8,0	M4	M4	500
10045BB0135.0	35,0	Ø 8,0	M4	M4	500
10045BB0136.0	36,0	Ø 8,0	M4	M4	500
10045BB0137.0	37,0	Ø 8,0	M4	M4	500
10045BB0138.0	38,0	Ø 8,0	M4	M4	500
10045BB0139.0	39,0	Ø 8,0	M4	M4	500
10045BB0140.0	40,0	Ø 8,0	M4	M4	500
10045BB0141.0	41,0	Ø 8,0	M4	M4	500

Codigo	A	B	C	D	Conf./piezas
10045BB0142.0	42,0	Ø 8,0	M4	M4	500
10045BB0143.0	43,0	Ø 8,0	M4	M4	500
10045BB0144.0	44,0	Ø 8,0	M4	M4	500
10045BB0145.0	45,0	Ø 8,0	M4	M4	500
10045BB0146.0	46,0	Ø 8,0	M4	M4	500
10045BB0147.0	47,0	Ø 8,0	M4	M4	500
10045BB0148.0	48,0	Ø 8,0	M4	M4	500
10045BB0149.0	49,0	Ø 8,0	M4	M4	500
10045BB0150.0	50,0	Ø 8,0	M4	M4	500
10045BB0151.0	51,0	Ø 8,0	M4	M4	500
10045BB0152.0	52,0	Ø 8,0	M4	M4	500
10045BB0153.0	53,0	Ø 8,0	M4	M4	500
10045BB0154.0	54,0	Ø 8,0	M4	M4	500
10045BB0155.0	55,0	Ø 8,0	M4	M4	500
10045BB0156.0	56,0	Ø 8,0	M4	M4	500
10045BB0157.0	57,0	Ø 8,0	M4	M4	500
10045BB0158.0	58,0	Ø 8,0	M4	M4	500
10045BB0159.0	59,0	Ø 8,0	M4	M4	500
10045BB0160.0	60,0	Ø 8,0	M4	M4	500
10045BB0161.0	61,0	Ø 8,0	M4	M4	500
10045BB0162.0	62,0	Ø 8,0	M4	M4	500
10045BB0163.0	63,0	Ø 8,0	M4	M4	500
10045BB0164.0	64,0	Ø 8,0	M4	M4	500
10045BB0165.0	65,0	Ø 8,0	M4	M4	500