

SEPARADORES AISLANTES MH M3 Y M4 EN POLIESTIRENO / ACERO



Descripción Técnica

Material: Poliestireno

Inserto roscado: Acero cincado

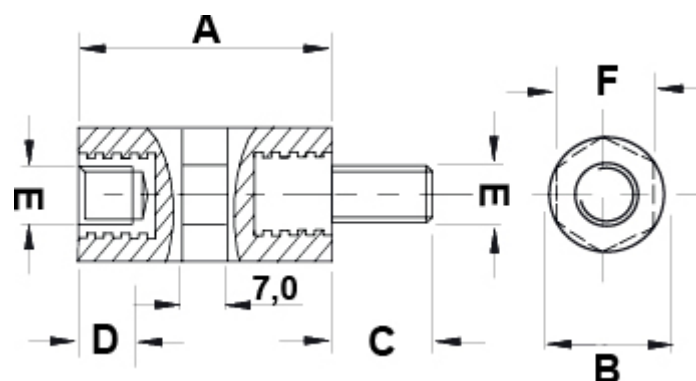
Color: Gris

Autoextinguibilidad: UL94-HB

Temperatura de trabajo: -15°C ~ + 90°C

Rigidez dieléctrica: 50kV

Todas las medidas están indicadas en mm



Codigo	A	B	C	D	E	F	Type	Conf./piezas
10481DA1115.0	15,0	7,0	7,0	7,0	M3	6,0	1	100
10481DA1120.0	20,0	7,0	7,0	7,0	M3	6,0	1	100
10481DA1125.0	25,0	7,0	7,0	7,0	M3	6,0	1	100
10481DA1130.0	30,0	7,0	7,0	7,0	M3	6,0	1	100

Codigo	A	B	C	D	E	F	Type	Conf./piezas
10481DA1140.0	40,0	7,0	7,0	7,0	M3	6,0	1	100
10484DA1115.0	15,0	10,0	7,0	7,0	M4	9,0	1	100
10484DA1120.0	20,0	10,0	7,0	7,0	M4	9,0	1	100
10484DA1125.0	25,0	10,0	7,0	7,0	M4	9,0	1	100
10484DA1130.0	30,0	10,0	7,0	7,0	M4	9,0	1	100
10484DA1140.0	40,0	10,0	7,0	7,0	M4	9,0	1	100
10484DA1145.0	45,0	10,0	7,0	7,0	M4	9,0	1	100
10484DA1150.0	50,0	10,0	7,0	7,0	M4	9,0	1	100