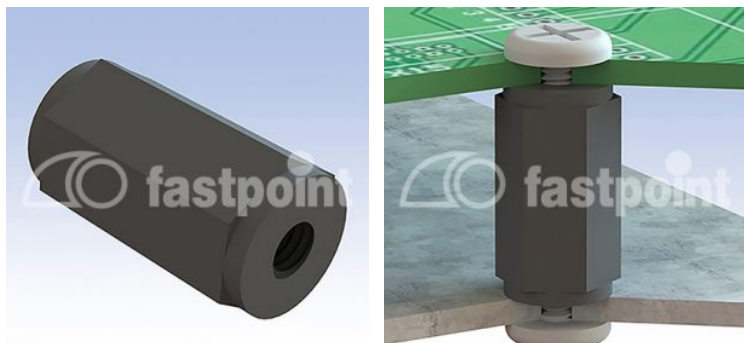


SEPARADOR MÉTRICO HEXAGONAL HH M6 HEX 10.0



Descripción Técnica

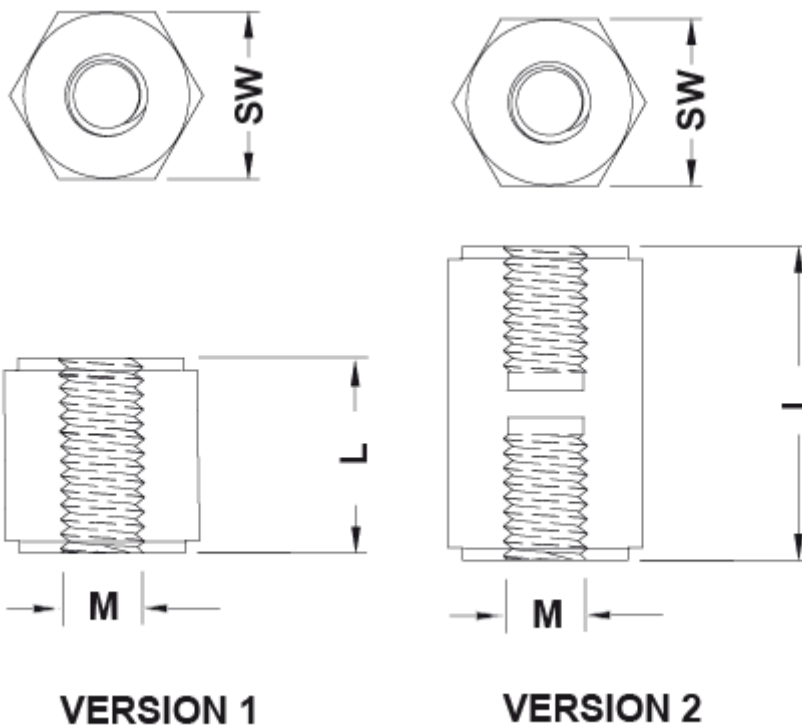
Material: PA6 + 25%FV

Color: Negro

Autoextinguibilidad: UL94-HB

Temperatura de trabajo: -30°C ~ +110°C

Todas las medidas están indicadas en mm



Codigo	L	M	SW	Type	Conf./piezas
6919BB0104.0	4,0	M6	10,0	1	500
6919BB0105.0	5,0	M6	10,0	1	500
6919BB0106.0	6,0	M6	10,0	1	500
6919BB0107.0	7,0	M6	10,0	1	500
6919BB0108.0	8,0	M6	10,0	1	500
6919BB0109.0	9,0	M6	10,0	1	500
6919BB0110.0	10,0	M6	10,0	1	500
6919BB0111.0	11,0	M6	10,0	1	500
6919BB0112.0	12,0	M6	10,0	1	500
6919BB0113.0	13,0	M6	10,0	1	500
6919BB0114.0	14,0	M6	10,0	1	500
6919BB0115.0	15,0	M6	10,0	1	500
6919BB0116.0	16,0	M6	10,0	1	500
6919BB0117.0	17,0	M6	10,0	1	500
6919BB0118.0	18,0	M6	10,0	1	500
6919BB0119.0	19,0	M6	10,0	1	500
6919BB0120.0	20,0	M6	10,0	1	500
6919BB0121.0	21,0	M6	10,0	2	500
6919BB0122.0	22,0	M6	10,0	2	500
6919BB0123.0	23,0	M6	10,0	2	500
6919BB0124.0	24,0	M6	10,0	2	500
6919BB0125.0	25,0	M6	10,0	2	500
6919BB0126.0	26,0	M6	10,0	2	500
6919BB0127.0	27,0	M6	10,0	2	500
6919BB0128.0	28,0	M6	10,0	2	500
6919BB0129.0	29,0	M6	10,0	2	500
6919BB0130.0	30,0	M6	10,0	2	500
6919BB0131.0	31,0	M6	10,0	2	500
6919BB0132.0	32,0	M6	10,0	2	500
6919BB0133.0	33,0	M6	10,0	2	500
6919BB0134.0	34,0	M6	10,0	2	500

Codigo	L	M	SW	Type	Conf./piezas
6919BB0135.0	35,0	M6	10,0	2	500
6919BB0136.0	36,0	M6	10,0	2	500
6919BB0137.0	37,0	M6	10,0	2	500
6919BB0138.0	38,0	M6	10,0	2	500
6919BB0139.0	39,0	M6	10,0	2	500
6919BB0140.0	40,0	M6	10,0	2	500
6919BB0141.0	41,0	M6	10,0	2	500
6919BB0142.0	42,0	M6	10,0	2	500
6919BB0143.0	43,0	M6	10,0	2	500
6919BB0144.0	44,0	M6	10,0	2	500
6919BB0145.0	45,0	M6	10,0	2	500
6919BB0146.0	46,0	M6	10,0	2	500
6919BB0147.0	47,0	M6	10,0	2	500
6919BB0148.0	48,0	M6	10,0	2	500
6919BB0149.0	49,0	M6	10,0	2	500
6919BB0150.0	50,0	M6	10,0	2	500
6919BB0151.0	51,0	M6	10,0	2	500
6919BB0152.0	52,0	M6	10,0	2	500
6919BB0153.0	53,0	M6	10,0	2	500
6919BB0154.0	54,0	M6	10,0	2	500
6919BB0155.0	55,0	M6	10,0	2	500
6919BB0156.0	56,0	M6	10,0	2	500
6919BB0157.0	57,0	M6	10,0	2	500
6919BB0158.0	58,0	M6	10,0	2	500
6919BB0159.0	59,0	M6	10,0	2	500
6919BB0160.0	60,0	M6	10,0	2	500
6919BB0161.0	61,0	M6	10,0	2	500
6919BB0162.0	62,0	M6	10,0	2	500
6919BB0163.0	63,0	M6	10,0	2	500
6919BB0164.0	64,0	M6	10,0	2	500
6919BB0165.0	65,0	M6	10,0	2	500

Codigo	L	M	SW	Type	Conf./piezas
6919BB0166.0	66,0	M6	10,0	2	500
6919BB0167.0	67,0	M6	10,0	2	500
6919BB0168.0	68,0	M6	10,0	2	500
6919BB0169.0	69,0	M6	10,0	2	500
6919BB0170.0	70,0	M6	10,0	2	500
6919BB0171.0	71,0	M6	10,0	2	500
6919BB0172.0	72,0	M6	10,0	2	500
6919BB0173.0	73,0	M6	10,0	2	500
6919BB0174.0	74,0	M6	10,0	2	500
6919BB0175.0	75,0	M6	10,0	2	500