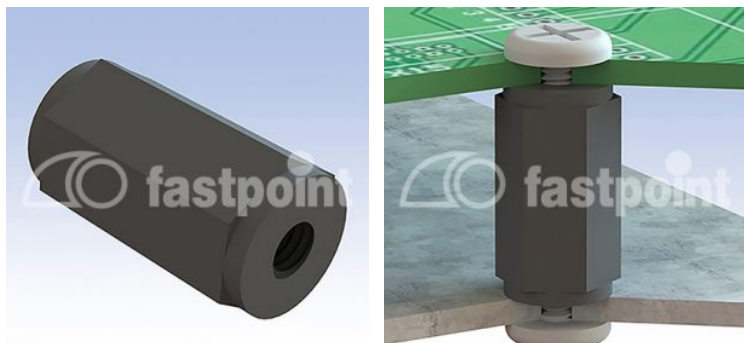


SEPARADOR MÉTRICO HEXAGONAL HH M3 HEX 8.0



Descripción Técnica

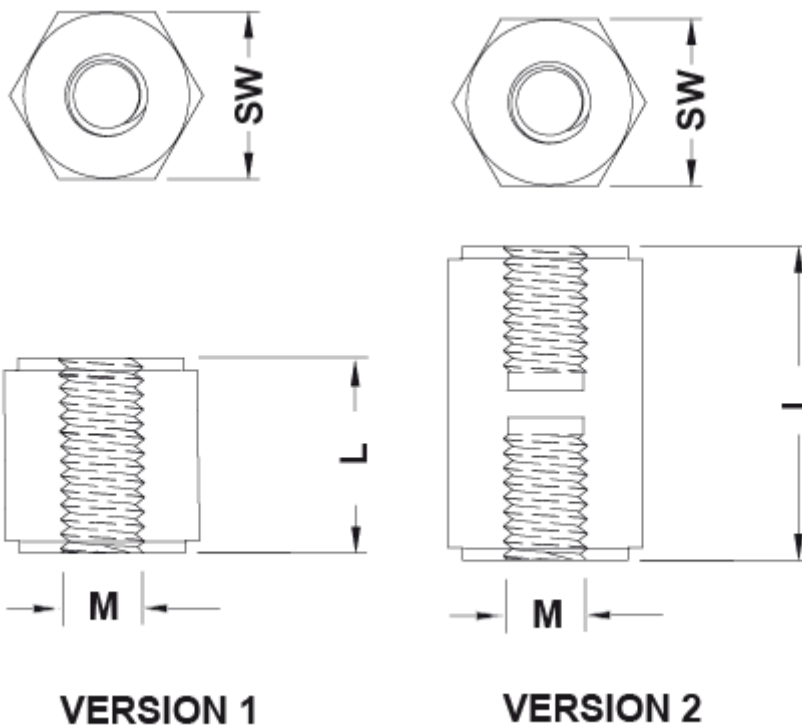
Material: PA6 +25%FV

Color: Negro

Autoextinguibilidad: UL94-HB

Temperatura de trabajo: -30°C ~ +110°C

Todas las medidas están indicadas en mm



Codigo	L	M	SW	Type	Conf./piezas
6915BB0105.0	5,0	M3	8,0	1	1.000
6915BB0106.0	6,0	M3	8,0	1	1.000
6915BB0107.0	7,0	M3	8,0	1	1.000
6915BB0108.0	8,0	M3	8,0	1	1.000
6915BB0109.0	9,0	M3	8,0	1	1.000
6915BB0110.0	10,0	M3	8,0	1	1.000
6915BB0111.0	11,0	M3	8,0	1	1.000
6915BB0112.0	12,0	M3	8,0	1	1.000
6915BB0113.0	13,0	M3	8,0	1	1.000
6915BB0114.0	14,0	M3	8,0	1	1.000
6915BB0115.0	15,0	M3	8,0	1	1.000
6915BB0116.0	16,0	M3	8,0	2	1.000
6915BB0117.0	17,0	M3	8,0	2	1.000
6915BB0118.0	18,0	M3	8,0	2	1.000
6915BB0119.0	19,0	M3	8,0	2	1.000
6915BB0120.0	20,0	M3	8,0	2	1.000
6915BB0121.0	21,0	M3	8,0	2	1.000
6915BB0122.0	22,0	M3	8,0	2	1.000
6915BB0123.0	23,0	M3	8,0	2	1.000
6915BB0124.0	24,0	M3	8,0	2	1.000
6915BB0125.0	25,0	M3	8,0	2	1.000
6915BB0126.0	26,0	M3	8,0	2	1.000
6915BB0127.0	27,0	M3	8,0	2	1.000
6915BB0128.0	28,0	M3	8,0	2	1.000
6915BB0129.0	29,0	M3	8,0	2	1.000
6915BB0130.0	30,0	M3	8,0	2	1.000
6915BB0131.0	31,0	M3	8,0	2	1.000
6915BB0132.0	32,0	M3	8,0	2	1.000
6915BB0133.0	33,0	M3	8,0	2	1.000
6915BB0134.0	34,0	M3	8,0	2	1.000
6915BB0135.0	35,0	M3	8,0	2	1.000

Codigo	L	M	SW	Type	Conf./piezas
6915BB0136.0	36,0	M3	8,0	2	1.000
6915BB0137.0	37,0	M3	8,0	2	1.000
6915BB0138.0	38,0	M3	8,0	2	1.000
6915BB0139.0	39,0	M3	8,0	2	1.000
6915BB0140.0	40,0	M3	8,0	2	1.000
6915BB0141.0	41,0	M3	8,0	2	1.000
6915BB0142.0	42,0	M3	8,0	2	1.000
6915BB0143.0	43,0	M3	8,0	2	1.000
6915BB0144.0	44,0	M3	8,0	2	1.000
6915BB0145.0	45,0	M3	8,0	2	1.000
6915BB0146.0	46,0	M3	8,0	2	1.000
6915BB0147.0	47,0	M3	8,0	2	1.000
6915BB0148.0	48,0	M3	8,0	2	1.000
6915BB0149.0	49,0	M3	8,0	2	1.000
6915BB0150.0	50,0	M3	8,0	2	1.000
6915BB0151.0	51,0	M3	8,0	2	1.000
6915BB0152.0	52,0	M3	8,0	2	1.000
6915BB0153.0	53,0	M3	8,0	2	1.000
6915BB0154.0	54,0	M3	8,0	2	1.000
6915BB0155.0	55,0	M3	8,0	2	1.000
6915BB0156.0	56,0	M3	8,0	2	1.000
6915BB0157.0	57,0	M3	8,0	2	1.000
6915BB0158.0	58,0	M3	8,0	2	1.000
6915BB0159.0	59,0	M3	8,0	2	1.000
6915BB0160.0	60,0	M3	8,0	2	1.000
6915BB0161.0	61,0	M3	8,0	2	1.000
6915BB0162.0	62,0	M3	8,0	2	1.000
6915BB0163.0	63,0	M3	8,0	2	1.000
6915BB0164.0	64,0	M3	8,0	2	1.000
6915BB0165.0	65,0	M3	8,0	2	1.000