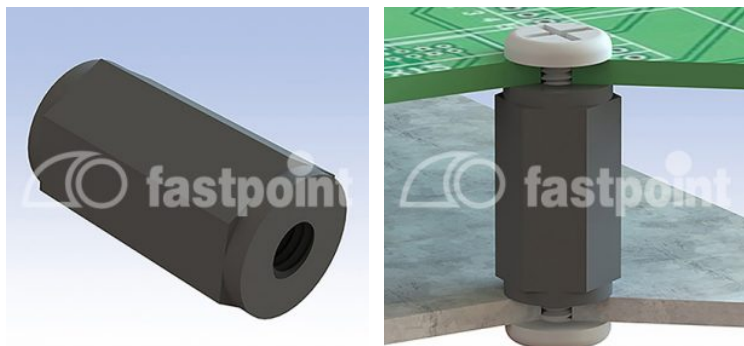


SEPARADOR MÉTRICO HEXAGONAL HH M3 HEX 5.0



Descripción Técnica

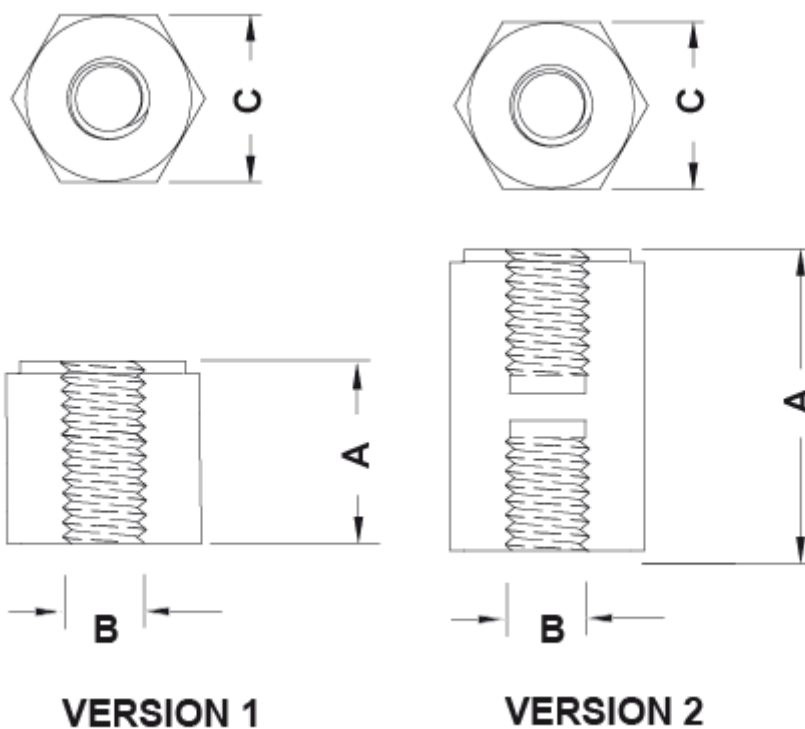
Material: PA6 +25%FV

Color: Negro

Autoextinguibilidad: UL94-HB

Temperatura de trabajo: -30°C ~ +110°C

Todas las medidas están indicadas en mm



Codigo	A	B	C	Type	Conf./piezas
8160BB0103.0	3,0	M3	5,0	1	500
8160BB0104.0	4,0	M3	5,0	1	500
8160BB0105.0	5,0	M3	5,0	1	500
8160BB0106.0	6,0	M3	5,0	1	500
8160BB0107.0	7,0	M3	5,0	1	500
8160BB0108.0	8,0	M3	5,0	1	500
8160BB0109.0	9,0	M3	5,0	1	500
8160BB0110.0	10,0	M3	5,0	1	500
8160BB0111.0	11,0	M3	5,0	1	500
8160BB0112.0	12,0	M3	5,0	1	500
8160BB0113.0	13,0	M3	5,0	1	500
8160BB0114.0	14,0	M3	5,0	1	500
8160BB0115.0	15,0	M3	5,0	1	500
8160BB0116.0	16,0	M3	5,0	2	500
8160BB0117.0	17,0	M3	5,0	2	500
8160BB0118.0	18,0	M3	5,0	2	500
8160BB0119.0	19,0	M3	5,0	2	500
8160BB0120.0	20,0	M3	5,0	2	500
8160BB0121.0	21,0	M3	5,0	2	500
8160BB0122.0	22,0	M3	5,0	2	500
8160BB0123.0	23,0	M3	5,0	2	500
8160BB0124.0	24,0	M3	5,0	2	500
8160BB0125.0	25,0	M3	5,0	2	500
8160BB0126.0	26,0	M3	5,0	2	500
8160BB0127.0	27,0	M3	5,0	2	500
8160BB0128.0	28,0	M3	5,0	2	500
8160BB0129.0	29,0	M3	5,0	2	500
8160BB0130.0	30,0	M3	5,0	2	500
8160BB0131.0	31,0	M3	5,0	2	500
8160BB0132.0	32,0	M3	5,0	2	500
8160BB0133.0	33,0	M3	5,0	2	500

Codigo	A	B	C	Type	Conf./piezas
8160BB0134.0	34,0	M3	5,0	2	500
8160BB0135.0	35,0	M3	5,0	2	500
8160BB0136.0	36,0	M3	5,0	2	500
8160BB0137.0	37,0	M3	5,0	2	500
8160BB0138.0	38,0	M3	5,0	2	500
8160BB0139.0	39,0	M3	5,0	2	500
8160BB0140.0	40,0	M3	5,0	2	500
8160BB0141.0	41,0	M3	5,0	2	500
8160BB0142.0	42,0	M3	5,0	2	500
8160BB0143.0	43,0	M3	5,0	2	500
8160BB0144.0	44,0	M3	5,0	2	500
8160BB0145.0	45,0	M3	5,0	2	500