

## SEPARADOR M3 CON CLIP THICKNESS 1.8



### Descripción Técnica

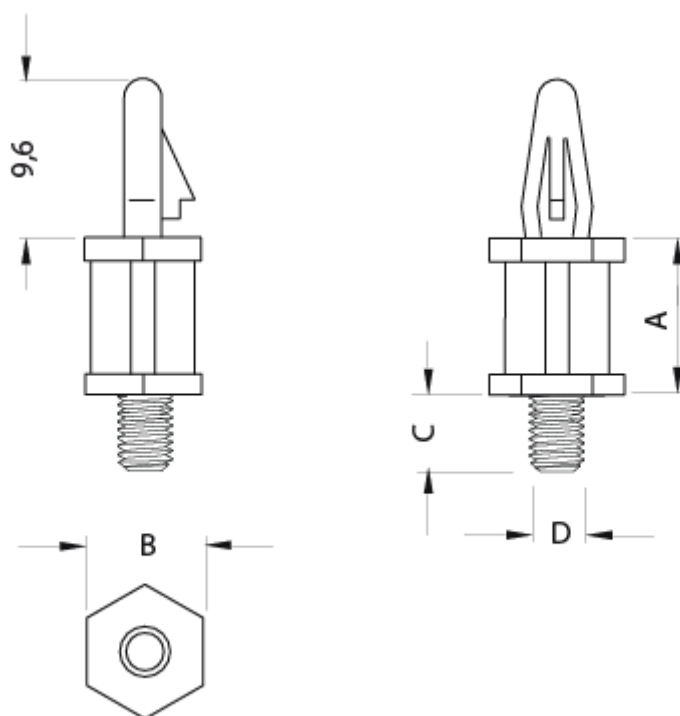
**Material:** PA66

**Color:** Negro

**Autoextinguibilidad:** UL94-HB

**Temperatura de trabajo:** -30°C ~ +130°C

Todas las medidas están indicadas en mm



Codigo	A	B	C	D	Orificio	Espesor	Conf./piezas
10059AA0103.0	3,0	8,0	6,0	M3	Ø 4,0	1,8	500
10059AA0104.0	4,0	8,0	6,0	M3	Ø 4,0	1,8	500
10059AA0105.0	5,0	8,0	6,0	M3	Ø 4,0	1,8	500
10059AA0106.0	6,0	8,0	6,0	M3	Ø 4,0	1,8	500
10059AA0107.0	7,0	8,0	6,0	M3	Ø 4,0	1,8	500
10059AA0108.0	8,0	8,0	6,0	M3	Ø 4,0	1,8	500
10059AA0109.0	9,0	8,0	6,0	M3	Ø 4,0	1,8	500
10059AA0110.0	10,0	8,0	6,0	M3	Ø 4,0	1,8	500
10059AA0111.0	11,0	8,0	6,0	M3	Ø 4,0	1,8	500
10059AA0112.0	12,0	8,0	6,0	M3	Ø 4,0	1,8	500
10059AA0113.0	13,0	8,0	6,0	M3	Ø 4,0	1,8	500
10059AA0114.0	14,0	8,0	6,0	M3	Ø 4,0	1,8	500
10059AA0115.0	15,0	8,0	6,0	M3	Ø 4,0	1,8	500
10059AA0116.0	16,0	8,0	6,0	M3	Ø 4,0	1,8	500
10059AA0117.0	17,0	8,0	6,0	M3	Ø 4,0	1,8	500
10059AA0118.0	18,0	8,0	6,0	M3	Ø 4,0	1,8	500
10059AA0119.0	19,0	8,0	6,0	M3	Ø 4,0	1,8	500
10059AA0120.0	20,0	8,0	6,0	M3	Ø 4,0	1,8	500
10059AA0121.0	21,0	8,0	6,0	M3	Ø 4,0	1,8	500
10059AA0122.0	22,0	8,0	6,0	M3	Ø 4,0	1,8	500
10059AA0123.0	23,0	8,0	6,0	M3	Ø 4,0	1,8	500
10059AA0124.0	24,0	8,0	6,0	M3	Ø 4,0	1,8	500
10059AA0125.0	25,0	8,0	6,0	M3	Ø 4,0	1,8	500
10059AA0126.0	26,0	8,0	6,0	M3	Ø 4,0	1,8	500
10059AA0127.0	27,0	8,0	6,0	M3	Ø 4,0	1,8	500
10059AA0128.0	28,0	8,0	6,0	M3	Ø 4,0	1,8	500
10059AA0129.0	29,0	8,0	6,0	M3	Ø 4,0	1,8	500
10059AA0130.0	30,0	8,0	6,0	M3	Ø 4,0	1,8	500
10059AA0131.0	31,0	8,0	6,0	M3	Ø 4,0	1,8	500
10059AA0132.0	32,0	8,0	6,0	M3	Ø 4,0	1,8	500
10059AA0133.0	33,0	8,0	6,0	M3	Ø 4,0	1,8	500

Codigo	A	B	C	D	Orificio	Espesor	Conf./piezas
10059AA0134.0	34,0	8,0	6,0	M3	Ø 4,0	1,8	500
10059AA0135.0	35,0	8,0	6,0	M3	Ø 4,0	1,8	500
10059AA0136.0	36,0	8,0	6,0	M3	Ø 4,0	1,8	500
10059AA0137.0	37,0	8,0	6,0	M3	Ø 4,0	1,8	500
10059AA0138.0	38,0	8,0	6,0	M3	Ø 4,0	1,8	500
10059AA0139.0	39,0	8,0	6,0	M3	Ø 4,0	1,8	500
10059AA0140.0	40,0	8,0	6,0	M3	Ø 4,0	1,8	500
10059AA0141.0	41,0	8,0	6,0	M3	Ø 4,0	1,8	500
10059AA0142.0	42,0	8,0	6,0	M3	Ø 4,0	1,8	500
10059AA0143.0	43,0	8,0	6,0	M3	Ø 4,0	1,8	500
10059AA0144.0	44,0	8,0	6,0	M3	Ø 4,0	1,8	500
10059AA0145.0	45,0	8,0	6,0	M3	Ø 4,0	1,8	500
10059AA0146.0	46,0	8,0	6,0	M3	Ø 4,0	1,8	500
10059AA0147.0	47,0	8,0	6,0	M3	Ø 4,0	1,8	500
10059AA0148.0	48,0	8,0	6,0	M3	Ø 4,0	1,8	500
10059AA0149.0	49,0	8,0	6,0	M3	Ø 4,0	1,8	500
10059AA0150.0	50,0	8,0	6,0	M3	Ø 4,0	1,8	500
10059AA0151.0	51,0	8,0	6,0	M3	Ø 4,0	1,8	500
10059AA0152.0	52,0	8,0	6,0	M3	Ø 4,0	1,8	500
10059AA0153.0	53,0	8,0	6,0	M3	Ø 4,0	1,8	500
10059AA0154.0	54,0	8,0	6,0	M3	Ø 4,0	1,8	500
10059AA0155.0	55,0	8,0	6,0	M3	Ø 4,0	1,8	500
10059AA0156.0	56,0	8,0	6,0	M3	Ø 4,0	1,8	500
10059AA0157.0	57,0	8,0	6,0	M3	Ø 4,0	1,8	500
10059AA0158.0	58,0	8,0	6,0	M3	Ø 4,0	1,8	500
10059AA0159.0	59,0	8,0	6,0	M3	Ø 4,0	1,8	500
10059AA0160.0	60,0	8,0	6,0	M3	Ø 4,0	1,8	500
10059AA0161.0	61,0	8,0	6,0	M3	Ø 4,0	1,8	500
10059AA0162.0	62,0	8,0	6,0	M3	Ø 4,0	1,8	500
10059AA0163.0	63,0	8,0	6,0	M3	Ø 4,0	1,8	500
10059AA0164.0	64,0	8,0	6,0	M3	Ø 4,0	1,8	500

Codigo	A	B	C	D	Orificio	Espesor	Conf./piezas
10059AA0165.0	65,0	8,0	6,0	M3	Ø 4,0	1,8	500