

SEPARADOR HEXAGONAL MH M3



Descripción Técnica

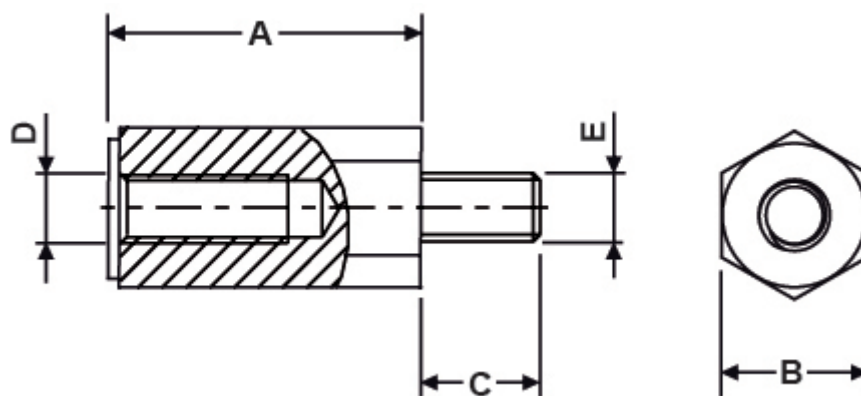
Material: PA66

Color: Negro

Autoextinguibilidad: UL94-HB

Temperatura de trabajo: -30°C ~ +130°C

Todas las medidas están indicadas en mm



Codigo	A	B	C	D	E	Conf./piezas
10016AA0105.0	5,0	6,0	6,0	M3	M3	500
10016AA0106.0	6,0	6,0	6,0	M3	M3	500
10016AA0107.0	7,0	6,0	6,0	M3	M3	500
10016AA0108.0	8,0	6,0	6,0	M3	M3	500
10016AA0109.0	9,0	6,0	6,0	M3	M3	500
10016AA0110.0	10,0	6,0	6,0	M3	M3	500
10016AA0111.0	11,0	6,0	6,0	M3	M3	500

Codigo	A	B	C	D	E	Conf./piezas
10016AA0112.0	12,0	6,0	6,0	M3	M3	500
10016AA0113.0	13,0	6,0	6,0	M3	M3	500
10016AA0114.0	14,0	6,0	6,0	M3	M3	500
10016AA0115.0	15,0	6,0	6,0	M3	M3	500
10016AA0116.0	16,0	6,0	6,0	M3	M3	500
10016AA0117.0	17,0	6,0	6,0	M3	M3	500
10016AA0118.0	18,0	6,0	6,0	M3	M3	500
10016AA0119.0	19,0	6,0	6,0	M3	M3	500
10016AA0120.0	20,0	6,0	6,0	M3	M3	500
10016AA0121.0	21,0	6,0	6,0	M3	M3	500
10016AA0122.0	22,0	6,0	6,0	M3	M3	500
10016AA0123.0	23,0	6,0	6,0	M3	M3	500
10016AA0124.0	24,0	6,0	6,0	M3	M3	500
10016AA0125.0	25,0	6,0	6,0	M3	M3	500
10016AA0126.0	26,0	6,0	6,0	M3	M3	500
10016AA0127.0	27,0	6,0	6,0	M3	M3	500
10016AA0128.0	28,0	6,0	6,0	M3	M3	500
10016AA0129.0	29,0	6,0	6,0	M3	M3	500
10016AA0130.0	30,0	6,0	6,0	M3	M3	500
10016AA0131.0	31,0	6,0	6,0	M3	M3	500
10016AA0132.0	32,0	6,0	6,0	M3	M3	500
10016AA0133.0	33,0	6,0	6,0	M3	M3	500
10016AA0134.0	34,0	6,0	6,0	M3	M3	500
10016AA0135.0	35,0	6,0	6,0	M3	M3	500
10016AA0136.0	36,0	6,0	6,0	M3	M3	500
10016AA0137.0	37,0	6,0	6,0	M3	M3	500
10016AA0138.0	38,0	6,0	6,0	M3	M3	500
10016AA0139.0	39,0	6,0	6,0	M3	M3	500
10016AA0140.0	40,0	6,0	6,0	M3	M3	500
10016AA0141.0	41,0	6,0	6,0	M3	M3	500
10016AA0142.0	42,0	6,0	6,0	M3	M3	500

Codigo	A	B	C	D	E	Conf./piezas
10016AA0143.0	43,0	6,0	6,0	M3	M3	500
10016AA0144.0	44,0	6,0	6,0	M3	M3	500
10016AA0145.0	45,0	6,0	6,0	M3	M3	500
10016AA0146.0	46,0	6,0	6,0	M3	M3	500
10016AA0147.0	47,0	6,0	6,0	M3	M3	500
10016AA0148.0	48,0	6,0	6,0	M3	M3	500
10016AA0149.0	49,0	6,0	6,0	M3	M3	500
10016AA0150.0	50,0	6,0	6,0	M3	M3	500
10016AA0151.0	51,0	6,0	6,0	M3	M3	500
10016AA0152.0	52,0	6,0	6,0	M3	M3	500
10016AA0153.0	53,0	6,0	6,0	M3	M3	500
10016AA0154.0	54,0	6,0	6,0	M3	M3	500
10016AA0155.0	55,0	6,0	6,0	M3	M3	500
10016AA0156.0	56,0	6,0	6,0	M3	M3	500
10016AA0157.0	57,0	6,0	6,0	M3	M3	500
10016AA0158.0	58,0	6,0	6,0	M3	M3	500
10016AA0159.0	59,0	6,0	6,0	M3	M3	500
10016AA0160.0	60,0	6,0	6,0	M3	M3	500
10016AA0161.0	61,0	6,0	6,0	M3	M3	500