

# SEPARADOR HEXAGONAL MH - M3/M2.5 - HEXÁGONO 5



## Descripción Técnica

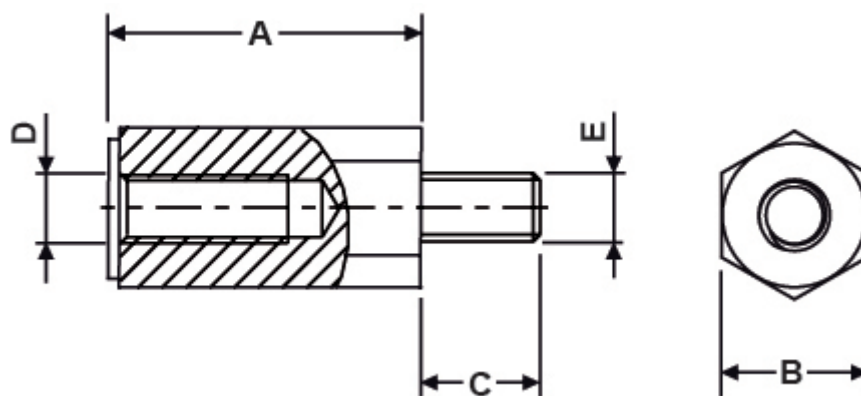
**Material:** PA66

**Color:** Negro

**Autoextinguibilidad:** UL94-HB

**Temperatura de trabajo:** -30°C ~ +130°C

Todas las medidas están indicadas en mm



Codigo	A	B	C	D	E	Conf./piezas
10012AA0105.0	5,0	5,0	8,0	M3	M2.5	500
10012AA0106.0	6,0	5,0	8,0	M3	M2.5	500
10012AA0107.0	7,0	5,0	8,0	M3	M2.5	500
10012AA0108.0	8,0	5,0	8,0	M3	M2.5	500
10012AA0109.0	9,0	5,0	8,0	M3	M2.5	500
10012AA0110.0	10,0	5,0	8,0	M3	M2.5	500
10012AA0111.0	11,0	5,0	8,0	M3	M2.5	500

Codigo	A	B	C	D	E	Conf./piezas
10012AA0112.0	12,0	5,0	8,0	M3	M2.5	500
10012AA0113.0	13,0	5,0	8,0	M3	M2.5	500
10012AA0114.0	14,0	5,0	8,0	M3	M2.5	500
10012AA0115.0	15,0	5,0	8,0	M3	M2.5	500
10012AA0116.0	16,0	5,0	8,0	M3	M2.5	500
10012AA0117.0	17,0	5,0	8,0	M3	M2.5	500
10012AA0118.0	18,0	5,0	8,0	M3	M2.5	500
10012AA0119.0	19,0	5,0	8,0	M3	M2.5	500
10012AA0120.0	20,0	5,0	8,0	M3	M2.5	500
10012AA0121.0	21,0	5,0	8,0	M3	M2.5	500
10012AA0122.0	22,0	5,0	8,0	M3	M2.5	500
10012AA0123.0	23,0	5,0	8,0	M3	M2.5	500
10012AA0124.0	24,0	5,0	8,0	M3	M2.5	500
10012AA0125.0	25,0	5,0	8,0	M3	M2.5	500
10012AA0126.0	26,0	5,0	8,0	M3	M2.5	500
10012AA0127.0	27,0	5,0	8,0	M3	M2.5	500
10012AA0128.0	28,0	5,0	8,0	M3	M2.5	500
10012AA0129.0	29,0	5,0	8,0	M3	M2.5	500
10012AA0130.0	30,0	5,0	8,0	M3	M2.5	500
10012AA0131.0	31,0	5,0	8,0	M3	M2.5	500
10012AA0132.0	32,0	5,0	8,0	M3	M2.5	500
10012AA0133.0	33,0	5,0	8,0	M3	M2.5	500
10012AA0134.0	34,0	5,0	8,0	M3	M2.5	500
10012AA0135.0	35,0	5,0	8,0	M3	M2.5	500
10012AA0136.0	36,0	5,0	8,0	M3	M2.5	500
10012AA0137.0	37,0	5,0	8,0	M3	M2.5	500
10012AA0138.0	38,0	5,0	8,0	M3	M2.5	500
10012AA0139.0	39,0	5,0	8,0	M3	M2.5	500
10012AA0140.0	40,0	5,0	8,0	M3	M2.5	500
10012AA0141.0	41,0	5,0	8,0	M3	M2.5	500
10012AA0142.0	42,0	5,0	8,0	M3	M2.5	500

Codigo	A	B	C	D	E	Conf./piezas
10012AA0143.0	43,0	5,0	8,0	M3	M2.5	500
10012AA0144.0	44,0	5,0	8,0	M3	M2.5	500
10012AA0145.0	45,0	5,0	8,0	M3	M2.5	500