

# SEPARADOR HEXAGONAL MH M3 HEXÁGONO DE 6



## Descripción Técnica

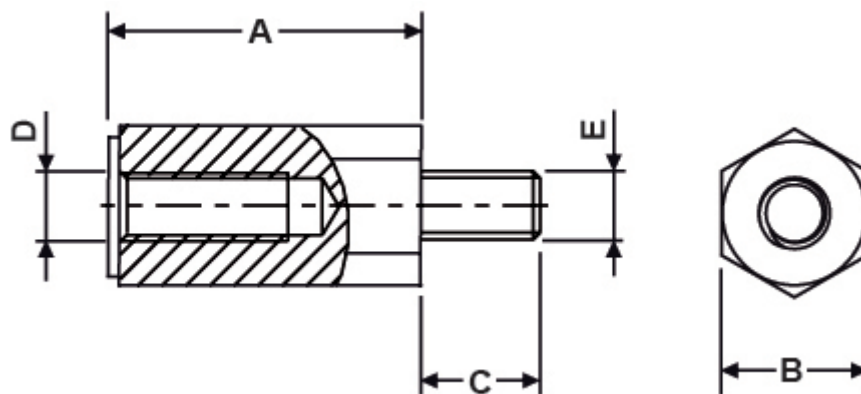
**Material:** PA66

**Color:** Negro

**Autoextinguibilidad:** UL94-HB

**Temperatura de trabajo:** -35°C ~ +130°C

Todas las medidas están indicadas en mm



Codigo	A	B	C	D	E	Conf./piezas
6922AA0105.0	5,0	6,0	8,0	M3	M3	500
6922AA0106.0	6,0	6,0	8,0	M3	M3	500
6922AA0107.0	7,0	6,0	8,0	M3	M3	500
6922AA0108.0	8,0	6,0	8,0	M3	M3	500
6922AA0109.0	9,0	6,0	8,0	M3	M3	500
6922AA0110.0	10,0	6,0	8,0	M3	M3	500
6922AA0111.0	11,0	6,0	8,0	M3	M3	500

Codigo	A	B	C	D	E	Conf./piezas
6922AA0112.0	12,0	6,0	8,0	M3	M3	500
6922AA0113.0	13,0	6,0	8,0	M3	M3	500
6922AA0114.0	14,0	6,0	8,0	M3	M3	500
6922AA0115.0	15,0	6,0	8,0	M3	M3	500
6922AA0116.0	16,0	6,0	8,0	M3	M3	500
6922AA0117.0	17,0	6,0	8,0	M3	M3	500
6922AA0118.0	18,0	6,0	8,0	M3	M3	500
6922AA0119.0	19,0	6,0	8,0	M3	M3	500
6922AA0120.0	20,0	6,0	8,0	M3	M3	500
6922AA0121.0	21,0	6,0	8,0	M3	M3	500
6922AA0122.0	22,0	6,0	8,0	M3	M3	500
6922AA0123.0	23,0	6,0	8,0	M3	M3	500
6922AA0124.0	24,0	6,0	8,0	M3	M3	500
6922AA0125.0	25,0	6,0	8,0	M3	M3	500
6922AA0126.0	26,0	6,0	8,0	M3	M3	500
6922AA0127.0	27,0	6,0	8,0	M3	M3	500
6922AA0128.0	28,0	6,0	8,0	M3	M3	500
6922AA0129.0	29,0	6,0	8,0	M3	M3	500
6922AA0130.0	30,0	6,0	8,0	M3	M3	500
6922AA0131.0	31,0	6,0	8,0	M3	M3	500
6922AA0132.0	32,0	6,0	8,0	M3	M3	500
6922AA0133.0	33,0	6,0	8,0	M3	M3	500
6922AA0134.0	34,0	6,0	8,0	M3	M3	500
6922AA0135.0	35,0	6,0	8,0	M3	M3	500
6922AA0136.0	36,0	6,0	8,0	M3	M3	500
6922AA0137.0	37,0	6,0	8,0	M3	M3	500
6922AA0138.0	38,0	6,0	8,0	M3	M3	500
6922AA0139.0	39,0	6,0	8,0	M3	M3	500
6922AA0140.0	40,0	6,0	8,0	M3	M3	500
6922AA0141.0	41,0	6,0	8,0	M3	M3	500
6922AA0142.0	42,0	6,0	8,0	M3	M3	500

Codigo	A	B	C	D	E	Conf./piezas
6922AA0143.0	43,0	6,0	8,0	M3	M3	500
6922AA0144.0	44,0	6,0	8,0	M3	M3	500
6922AA0145.0	45,0	6,0	8,0	M3	M3	500
6922AA0146.0	46,0	6,0	8,0	M3	M3	500
6922AA0147.0	47,0	6,0	8,0	M3	M3	500
6922AA0148.0	48,0	6,0	8,0	M3	M3	500
6922AA0149.0	49,0	6,0	8,0	M3	M3	500
6922AA0150.0	50,0	6,0	8,0	M3	M3	500
6922AA0151.0	51,0	6,0	8,0	M3	M3	500
6922AA0152.0	52,0	6,0	8,0	M3	M3	500
6922AA0153.0	53,0	6,0	8,0	M3	M3	500
6922AA0154.0	54,0	6,0	8,0	M3	M3	500
6922AA0155.0	55,0	6,0	8,0	M3	M3	500
6922AA0156.0	56,0	6,0	8,0	M3	M3	500
6922AA0157.0	57,0	6,0	8,0	M3	M3	500
6922AA0158.0	58,0	6,0	8,0	M3	M3	500
6922AA0159.0	59,0	6,0	8,0	M3	M3	500
6922AA0160.0	60,0	6,0	8,0	M3	M3	500
6922AA0161.0	61,0	6,0	8,0	M3	M3	500