

# SEPARADOR HEXAGONAL MH M3 HEXÁGONO 5.5



## Descripción Técnica

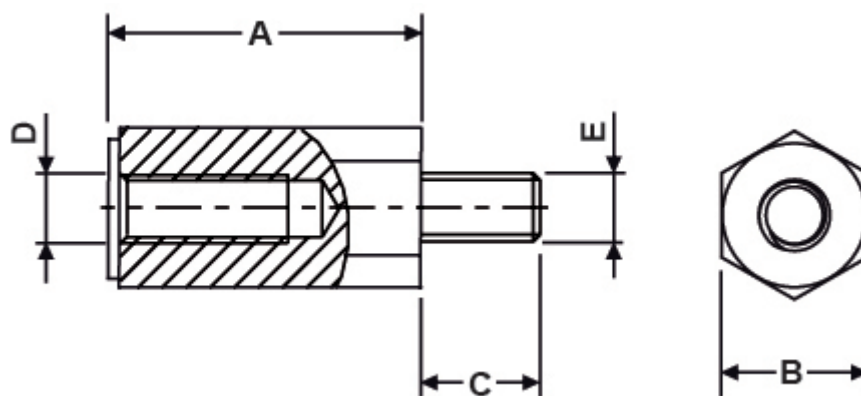
**Material:** PA66

**Color:** Negro

**Autoextinguibilidad:** UL94-HB

**Temperatura de trabajo:** -30°C ~ +130°C

Todas las medidas están indicadas en mm



Codigo	A	B	C	D	E	Conf./piezas
10014AA0105.0	5,0	5,5	6,0	M3	M3	500
10014AA0106.0	6,0	5,5	6,0	M3	M3	500
10014AA0107.0	7,0	5,5	6,0	M3	M3	500
10014AA0108.0	8,0	5,5	6,0	M3	M3	500
10014AA0109.0	9,0	5,5	6,0	M3	M3	500
10014AA0110.0	10,0	5,5	6,0	M3	M3	500
10014AA0111.0	11,0	5,5	6,0	M3	M3	500

Codigo	A	B	C	D	E	Conf./piezas
10014AA0112.0	12,0	5,5	6,0	M3	M3	500
10014AA0113.0	13,0	5,5	6,0	M3	M3	500
10014AA0114.0	14,0	5,5	6,0	M3	M3	500
10014AA0115.0	15,0	5,5	6,0	M3	M3	500
10014AA0116.0	16,0	5,5	6,0	M3	M3	500
10014AA0117.0	17,0	5,5	6,0	M3	M3	500
10014AA0118.0	18,0	5,5	6,0	M3	M3	500
10014AA0119.0	19,0	5,5	6,0	M3	M3	500
10014AA0120.0	20,0	5,5	6,0	M3	M3	500
10014AA0121.0	21,0	5,5	6,0	M3	M3	500
10014AA0122.0	22,0	5,5	6,0	M3	M3	500
10014AA0123.0	23,0	5,5	6,0	M3	M3	500
10014AA0124.0	24,0	5,5	6,0	M3	M3	500
10014AA0125.0	25,0	5,5	6,0	M3	M3	500
10014AA0126.0	26,0	5,5	6,0	M3	M3	500
10014AA0127.0	27,0	5,5	6,0	M3	M3	500
10014AA0128.0	28,0	5,5	6,0	M3	M3	500
10014AA0129.0	29,0	5,5	6,0	M3	M3	500
10014AA0130.0	30,0	5,5	6,0	M3	M3	500
10014AA0131.0	31,0	5,5	6,0	M3	M3	500
10014AA0132.0	32,0	5,5	6,0	M3	M3	500
10014AA0133.0	33,0	5,5	6,0	M3	M3	500
10014AA0134.0	34,0	5,5	6,0	M3	M3	500
10014AA0135.0	35,0	5,5	6,0	M3	M3	500
10014AA0136.0	36,0	5,5	6,0	M3	M3	500
10014AA0137.0	37,0	5,5	6,0	M3	M3	500
10014AA0138.0	38,0	5,5	6,0	M3	M3	500
10014AA0139.0	39,0	5,5	6,0	M3	M3	500
10014AA0140.0	40,0	5,5	6,0	M3	M3	500
10014AA0141.0	41,0	5,5	6,0	M3	M3	500
10014AA0142.0	42,0	5,5	6,0	M3	M3	500

Codigo	A	B	C	D	E	Conf./piezas
10014AA0143.0	43,0	5,5	6,0	M3	M3	500
10014AA0144.0	44,0	5,5	6,0	M3	M3	500
10014AA0145.0	45,0	5,5	6,0	M3	M3	500
10014AA0146.0	46,0	5,5	6,0	M3	M3	500
10014AA0147.0	47,0	5,5	6,0	M3	M3	500
10014AA0148.0	48,0	5,5	6,0	M3	M3	500
10014AA0149.0	49,0	5,5	6,0	M3	M3	500
10014AA0150.0	50,0	5,5	6,0	M3	M3	500
10014AA0151.0	51,0	5,5	6,0	M3	M3	500
10014AA0152.0	52,0	5,5	6,0	M3	M3	500
10014AA0153.0	53,0	5,5	6,0	M3	M3	500
10014AA0154.0	54,0	5,5	6,0	M3	M3	500
10014AA0155.0	55,0	5,5	6,0	M3	M3	500
10014AA0156.0	56,0	5,5	6,0	M3	M3	500
10014AA0157.0	57,0	5,5	6,0	M3	M3	500
10014AA0158.0	58,0	5,5	6,0	M3	M3	500
10014AA0159.0	59,0	5,5	6,0	M3	M3	500
10014AA0160.0	60,0	5,5	6,0	M3	M3	500
10014AA0161.0	61,0	5,5	6,0	M3	M3	500