

SEPARADOR HEXAGONAL MH M3 HEXÁGONO 5.0



Descripción Técnica

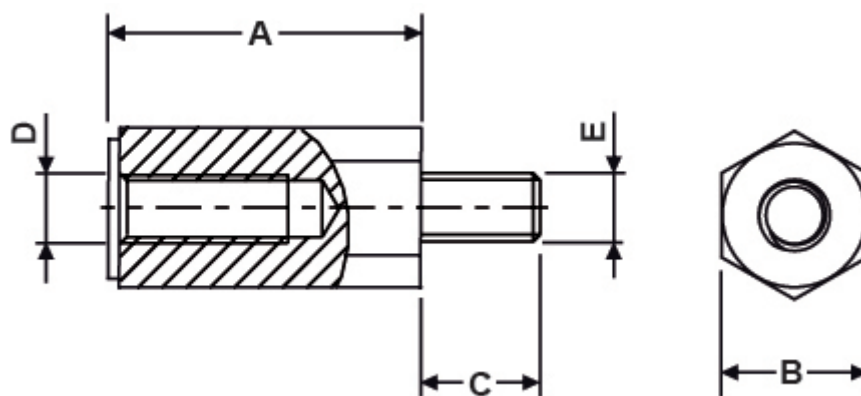
Material: PA66

Color: Negro

Autoextinguibilidad: UL94-HB

Temperatura de trabajo: -30°C ~ +130°C

Todas las medidas están indicadas en mm



Codigo	A	B	C	D	E	Conf./piezas
10013AA0105.0	5,0	5,0	8,0	M3	M3	500
10013AA0106.0	6,0	5,0	8,0	M3	M3	500
10013AA0107.0	7,0	5,0	8,0	M3	M3	500
10013AA0108.0	8,0	5,0	8,0	M3	M3	500
10013AA0109.0	9,0	5,0	8,0	M3	M3	500
10013AA0110.0	10,0	5,0	8,0	M3	M3	500
10013AA0111.0	11,0	5,0	8,0	M3	M3	500

Codigo	A	B	C	D	E	Conf./piezas
10013AA0112.0	12,0	5,0	8,0	M3	M3	500
10013AA0113.0	13,0	5,0	8,0	M3	M3	500
10013AA0114.0	14,0	5,0	8,0	M3	M3	500
10013AA0115.0	15,0	5,0	8,0	M3	M3	500
10013AA0116.0	16,0	5,0	8,0	M3	M3	500
10013AA0117.0	17,0	5,0	8,0	M3	M3	500
10013AA0118.0	18,0	5,0	8,0	M3	M3	500
10013AA0119.0	19,0	5,0	8,0	M3	M3	500
10013AA0120.0	20,0	5,0	8,0	M3	M3	500
10013AA0121.0	21,0	5,0	8,0	M3	M3	500
10013AA0122.0	22,0	5,0	8,0	M3	M3	500
10013AA0123.0	23,0	5,0	8,0	M3	M3	500
10013AA0124.0	24,0	5,0	8,0	M3	M3	500
10013AA0125.0	25,0	5,0	8,0	M3	M3	500
10013AA0126.0	26,0	5,0	8,0	M3	M3	500
10013AA0127.0	27,0	5,0	8,0	M3	M3	500
10013AA0128.0	28,0	5,0	8,0	M3	M3	500
10013AA0129.0	29,0	5,0	8,0	M3	M3	500
10013AA0130.0	30,0	5,0	8,0	M3	M3	500
10013AA0131.0	31,0	5,0	8,0	M3	M3	500
10013AA0132.0	32,0	5,0	8,0	M3	M3	500
10013AA0133.0	33,0	5,0	8,0	M3	M3	500
10013AA0134.0	34,0	5,0	8,0	M3	M3	500
10013AA0135.0	35,0	5,0	8,0	M3	M3	500
10013AA0136.0	36,0	5,0	8,0	M3	M3	500
10013AA0137.0	37,0	5,0	8,0	M3	M3	500
10013AA0138.0	38,0	5,0	8,0	M3	M3	500
10013AA0139.0	39,0	5,0	8,0	M3	M3	500
10013AA0140.0	40,0	5,0	8,0	M3	M3	500
10013AA0141.0	41,0	5,0	8,0	M3	M3	500
10013AA0142.0	42,0	5,0	8,0	M3	M3	500

Codigo	A	B	C	D	E	Conf./piezas
10013AA0143.0	43,0	5,0	8,0	M3	M3	500
10013AA0144.0	44,0	5,0	8,0	M3	M3	500
10013AA0145.0	45,0	5,0	8,0	M3	M3	500
10013AA0146.0	46,0	5,0	8,0	M3	M3	500
10013AA0147.0	47,0	5,0	8,0	M3	M3	500
10013AA0148.0	48,0	5,0	8,0	M3	M3	500
10013AA0149.0	49,0	5,0	8,0	M3	M3	500
10013AA0150.0	50,0	5,0	8,0	M3	M3	500
10013AA0151.0	51,0	5,0	8,0	M3	M3	500
10013AA0152.0	52,0	5,0	8,0	M3	M3	500
10013AA0153.0	53,0	5,0	8,0	M3	M3	500
10013AA0154.0	54,0	5,0	8,0	M3	M3	500
10013AA0155.0	55,0	5,0	8,0	M3	M3	500
10013AA0156.0	56,0	5,0	8,0	M3	M3	500
10013AA0157.0	57,0	5,0	8,0	M3	M3	500
10013AA0158.0	58,0	5,0	8,0	M3	M3	500
10013AA0159.0	59,0	5,0	8,0	M3	M3	500
10013AA0160.0	60,0	5,0	8,0	M3	M3	500
10013AA0161.0	61,0	5,0	8,0	M3	M3	500