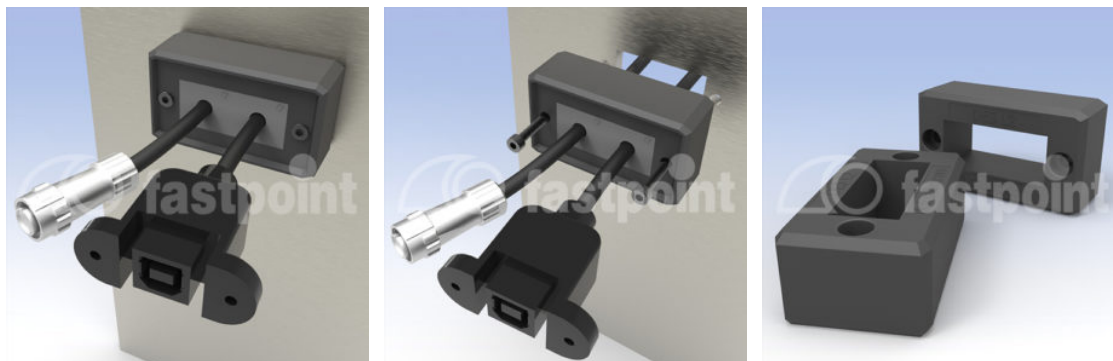
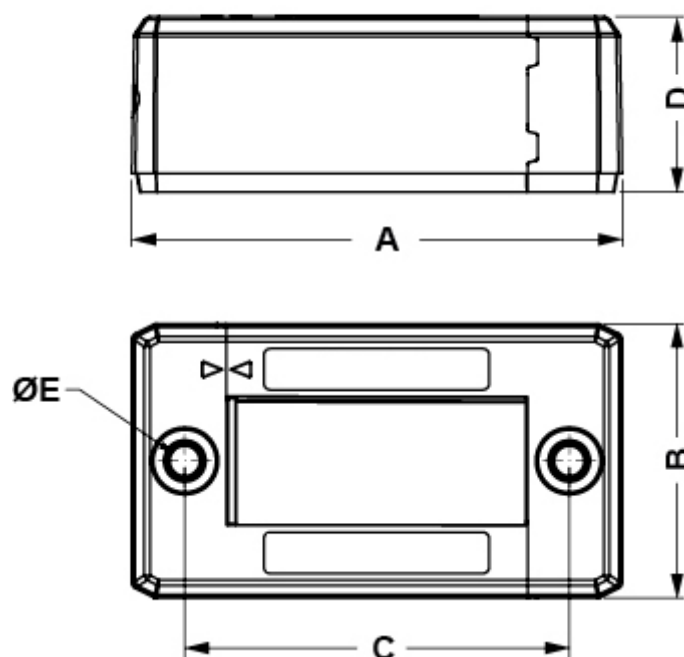


PLACAS DIVISIBLES PARA CABLES TERMINADOS



Descripción Técnica



| Codigo | A | B | C | D | E | Orificio | Conf./piezas |
|-----------|-------|------|-------|------|------|--------------|--------------|
| 16000FG01 | 74,0 | 41,4 | 58,0 | 26,5 | Ø4,5 | 40,0 x 18,0 | 10 |
| 16001FG01 | 99,0 | 41,4 | 83,0 | 26,5 | Ø4,5 | 63,0 x 18,0 | 10 |
| 16002FG01 | 120,0 | 41,4 | 103,0 | 26,5 | Ø9,0 | 86,0 x 18,0 | 10 |
| 16003FG01 | 146,0 | 41,4 | 130,0 | 26,5 | Ø9,0 | 108,0 x 18,0 | 10 |
| 18934FG01 | 54,3 | 41,4 | 38,0 | 26,5 | Ø5,5 | 21,0 x 18,0 | 10 |