

PASACABLES CUADRADOS CON CUADRO INTERNO



Descripción Técnica

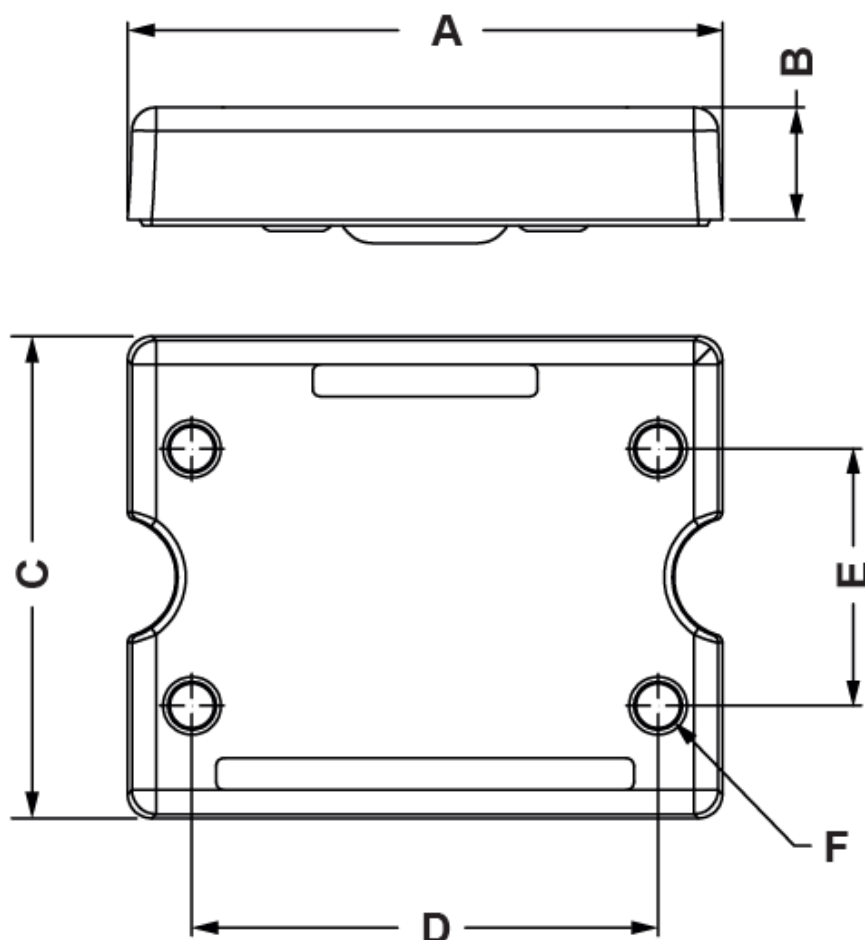
Material: TPE

Color: Ver tabla

Autoextinguible: V0 (UL94)

Temperatura de trabajo: -40°C ~ +105°C

Todas las medidas son en mm



Codigo	A	B	C	D	E	F	Ø Diametro cable	Orificio	Color	Conf./piezas
16258PS11	74,0	14,0	60,0	58,0	32,0	Ø5,5	8xØ2,8-6,5 / 4xØ4,6-10,2 / 1xØ14,5-22,0	46,0 x 46,0	Grigio - Gray - Grau	10
16259PS11	74,0	14,0	60,0	58,0	32,0	Ø5,5	10xØ2,8-6,5 / 4xØ4,6-10,2 / 2xØ6,8-12,0 / 1xØ8,6-16,2	46,0 x 46,0	Grigio - Gray - Grau	10
16260PS11	74,0	14,0	12,0	58,0	32,0	Ø5,5	25xØ2,8-6,5	46,0 x 46,0	Grigio - Gray - Grau	10
16272PS01	74,0	14,0	60,0	58,0	32,0	Ø5,5	8xØ2,8-6,5 / 4xØ4,6-10,2 / 1xØ14,5-22,0	46,0 x 46,0	Nero - Black - Schwarz	10
16273PS01	74,0	14,0	60,0	58,0	32,0	Ø5,5	10xØ2,8-6,5 / 4xØ4,6-10,2 / 2xØ6,8-12,0 / 1xØ8,6-16,2	46,0 x 46,0	Nero - Black - Schwarz	10

Codigo	A	B	C	D	E	F	Ø Diametro cable	Orificio	Color	Conf./piezas
16274PS01	74,0	14,0	12,0	58,0	32,0	Ø5,5	25xØ2,8-6,5	46,0 x 46,0	Nero - Black - Schwarz	10