

CAPUCHÓN CON ALETAS



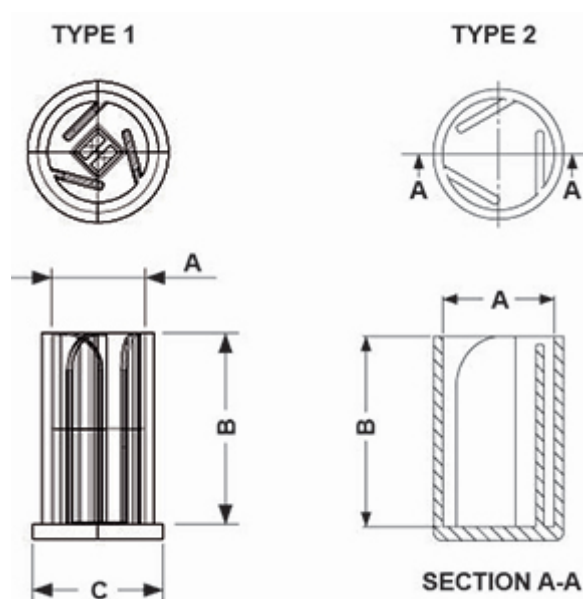
Descripción Técnica

Material: PE-HD

Color: Natural

Temperatura de trabajo: -25°C ~ +60°C

Todas las medidas están indicadas en mm



Codigo	Type	A	B	C	Diametro minimo	Diametro massimo	Conf./piezas
25320EA00	1	10,0	20,5	14,0	6,5	8,0	2.500
25321EA00	1	11,0	20,5	15,0	8,0	9,0	2.500
25322EA00	1	12,5	20,5	16,5	9,0	10,5	2.500
25323EA00	1	16,0	20,5	20,0	11,0	13,0	500
25324EA00	1	18,0	20,5	22,0	14,0	16,0	500

Codigo	Type	A	B	C	Diametro minimo	Diametro massimo	Conf./piezas
25325EA00	1	22,0	20,5	26,0	17,0	19,0	500
25326EA00	1	25,0	23,5	29,0	20,0	22,0	500
25327EA00	1	29,0	28,5	33,0	24,0	26,0	500
25328EA00	1	33,0	32,5	37,0	28,0	30,0	500
25329EA00	2	10,0	31,5	-	6,5	8,0	500
25330EA00	2	11,0	20,5	-	8,0	9,0	500
25331EA00	2	12,0	20,5	-	9,0	10,0	500