

## WIRE CLIPS WITH TOP OPENING WITH CUP



### Technical description

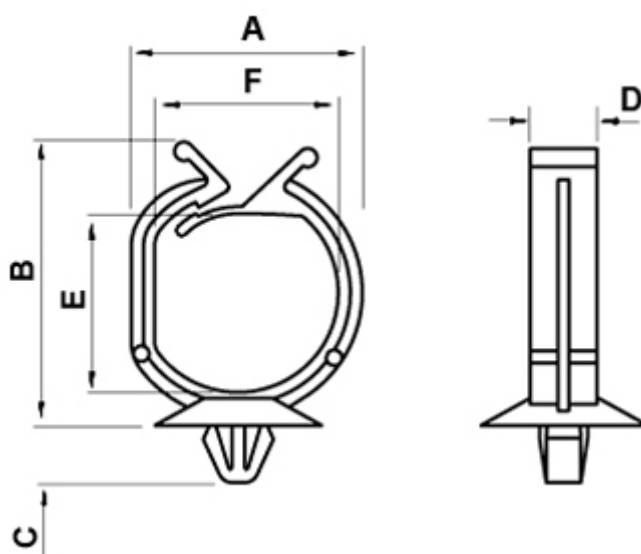
**Material:** PA 6.6

**Colour:** Natural

**UL Flammability:** V2 (UL 94)

**Operating temperature:** -35°C ~ +85°C

All dimensions are in mm.



Code	A	B	C	D	E	F	Mounting hole	Thickness	Colour	MOQ-Pcs
2476AA00	12,3	19,0	7,0	6,0	9,5	9,0	Ø 7,0	0,8 - 2,0	Naturale	2.500
2764AA00	28,0	35,0	5,0	8,0	22,0	22,0	Ø 6,5	0,8 - 1,5	Naturale	1.000