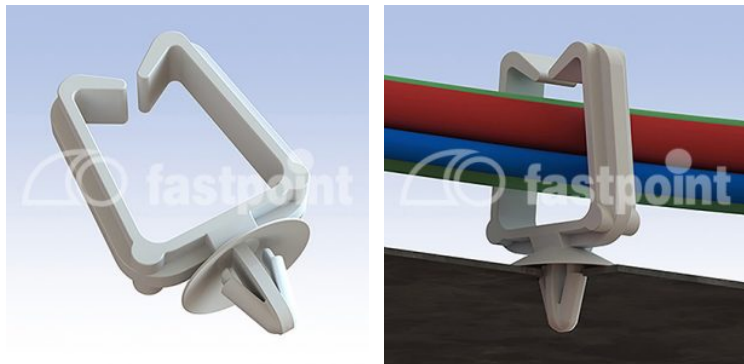


WIRE CLIPS WITH TOP OPENING HOLE Ø 6,5 MM.



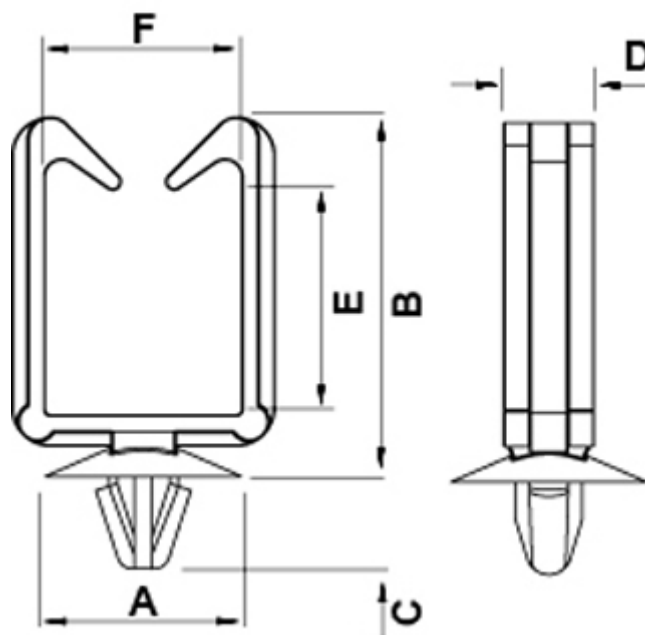
Technical description

Material: PA 6.6

Colour: Natural

UL Flammability: V2 (UL 94)

Operating temperature: -35°C ~ +85°C All dimensions are in mm.



Code	A	B	C	D	E	F	Mounting hole	Thickness	MOQ-Pcs
5544AA00	17,5	32,3	7,8	8,0	20,8	17,0	Ø 6,5	0,6 - 2,0	2.500