

WIRE CLIPS WITH TOP OPENING HOLE Ø 4,8 MM.



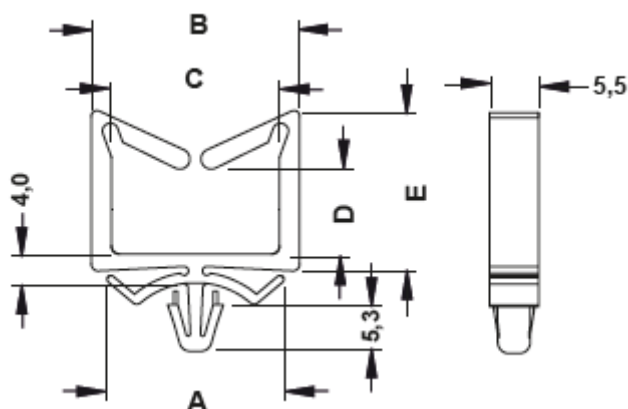
Technical description

Material: PA 6.6

Colour: Natural

UL Flammability: V2 (UL 94)

Operating temperature: -35°C ~ +85°C All dimensions are in mm.



Code	A	B	C	D	E	F	G	H	Mounting hole	Thickness	MOQ-Pcs
10671AA00	20,0	23,5	19,0	11,8	18,2	5,3	4,0	5,5	Ø 4,8	1,2	500
10672AA00	20,0	23,5	19,0	20,5	27,0	5,3	4,0	5,5	Ø 4,8	1,2	500