

WIRE CLIPS WITH TOP OPENING



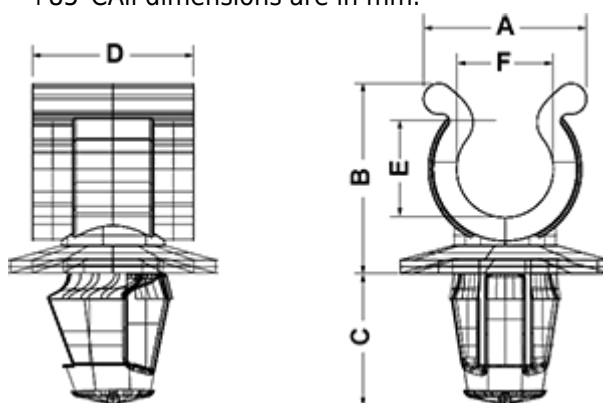
Technical description

Material: PA 6.6

Colour: See table

UL Flammability: V2 (UL 94)

Operating temperature: -35°C ~ +85°C All dimensions are in mm.



Code	A	B	C	D	E	F	Mounting hole	Thickness	Colour	MOQ-Pcs
4788AA00	10,0	12,0	8,0	10,0	6,0	6,0	Ø 6,5	0,7 - 1,5	Naturale	1.000
5291AA01	9,0	11,7	7,5	-	5,0	5,0	7,0 x 7,0	0,7 - 1,5	Nero	1.000