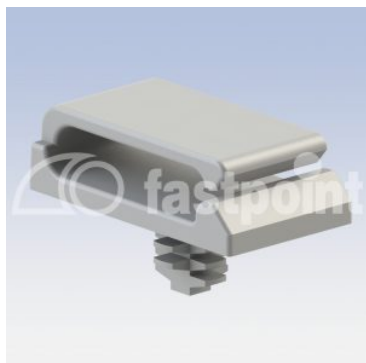


WIRE CLIPS WITH SIDE OPENING FOR BLIND HOLE



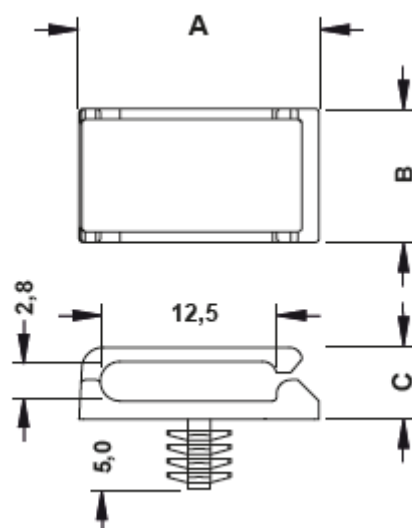
Technical description

Material: PA 6.6

Colour: Natural

UL Flammability: V2 (UL 94)

Operating temperature: -35°C ~ +85°C All dimensions are in mm.



Code	A	B	C	D	E	F	Mounting hole	Thickness	MOQ-Pcs
10689AA00	17,0	9,5	5,1	12,5	2,8	5,0	Ø 4,0	0,5 - 4,0	1.000