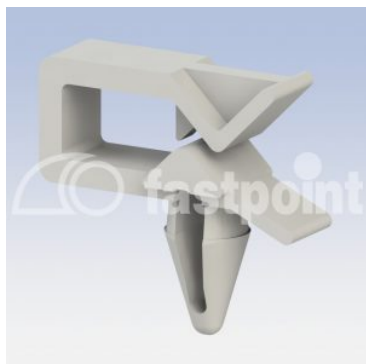


WIRE CLIPS WITH SIDE OPENING CLOSED TYPE HOLE Ø 4,8 MM.



Technical description

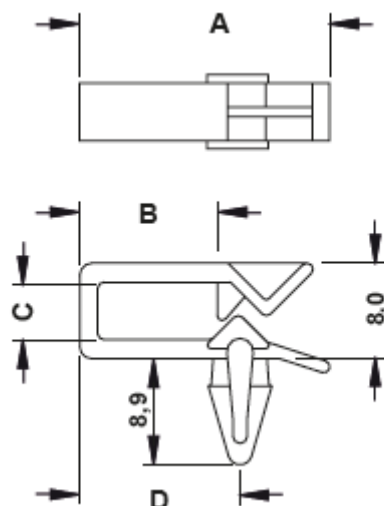
Material: PA 6.6

Colour: Natural

UL Flammability: V2 (UL 94)

Operating temperature: -35°C ~ +85°C

All dimensions are in mm.



Code	A	B	C	D	E	F	Mounting hole	Thickness	MOQ-Pcs
10686AA00	20,9	10,0	4,8	13,4	8,9	8,0	Ø 4,8	2,0	1.000
10687AA00	24,2	13,2	4,8	16,8	8,9	8,0	Ø 4,8	2,0	1.000
10688AA00	17,5	6,6	4,8	10,8	8,9	8,0	Ø 4,8	0,8 - 2,0	1.000