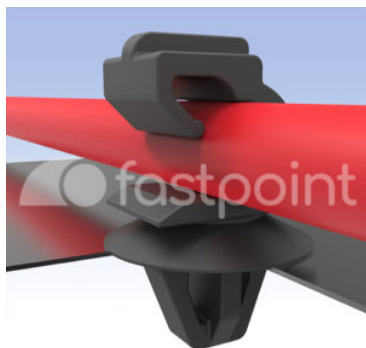
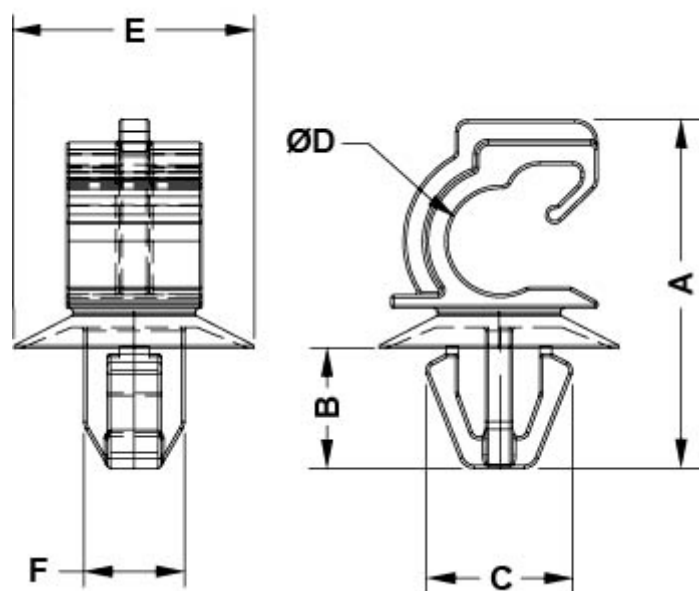


WIRE CLIPS WITH SIDE OPENING



Technical description



Code	A	B	C	D	E	F	Mounting hole	Thickness	MOQ-Pcs
14984AA01	23,0	7,9	9,7	Ø 7,0	Ø 15,9	6,7	Ø7,5 - 7,7	1,0 - 1,2	1.000