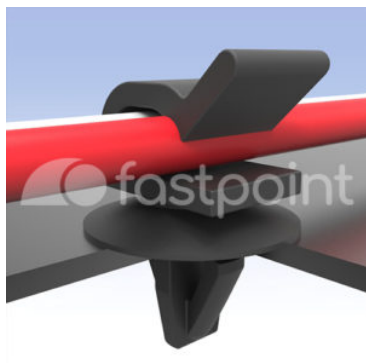
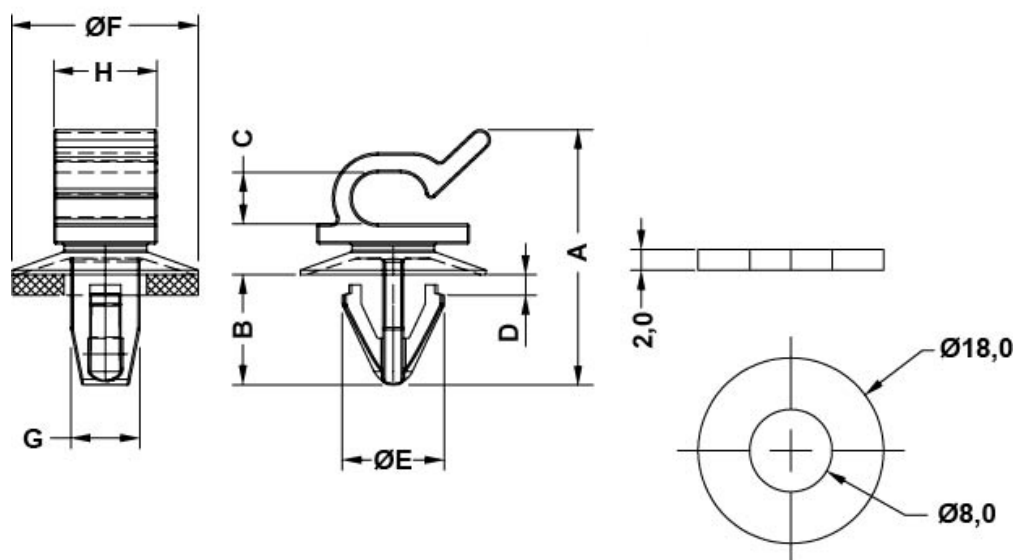


WIRE CLIPS WITH SIDE OPENING



Technical description



Code	A	B	C	D	E	F	G	H	Mounting hole	Thickness	MOQ-Pcs
14993AA01	24,8	10,7	5,0	2,0	Ø 9,9	Ø18,0	6,7	10,0	Ø7,5 - 8,0	0,8 - 1,5	1.000