

WIRE CLIPS WITH LATERAL CLOSURE HOLE Ø 6,5 MM.



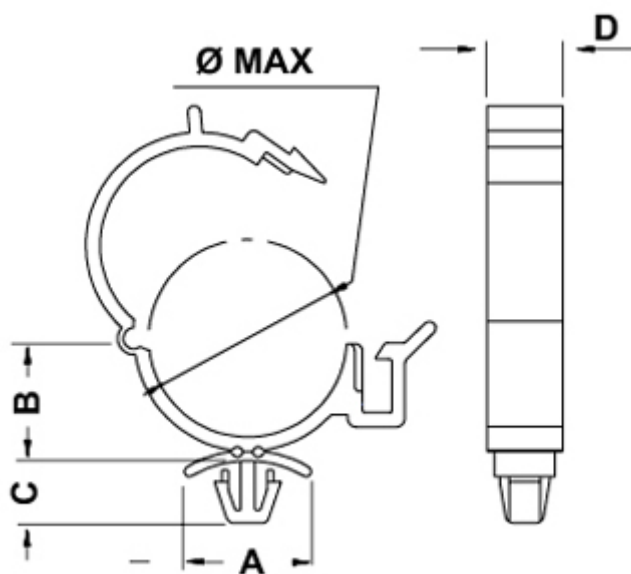
Technical description

Material: PA 6.6

Colour: Natural

UL Flammability: V2 (UL 94)

Operating temperature: -35°C ~ +85°C All dimensions are in mm.



Code	A	B	C	D	Mounting hole	Thickness	Max chiuso	MOQ-Pcs
6064AA00	16,0	15,5	7,9	9,5	Ø 6,5	0,8 - 1,6	Ø 25	1.000