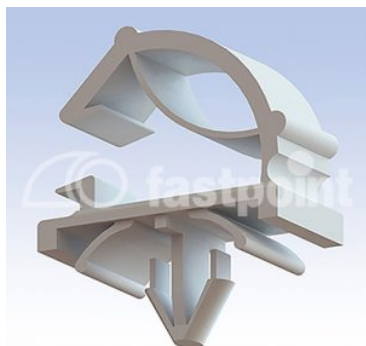


WIRE CLIPS WITH LATERAL CLOSURE HOLE Ø 4,8 MM.



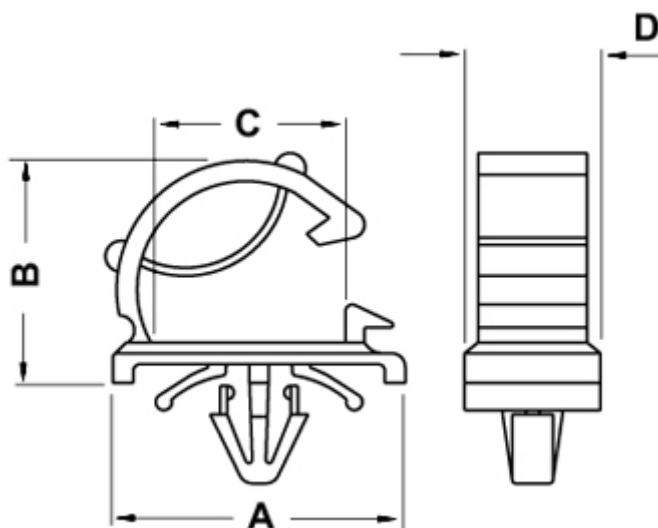
Technical description

Material: PA 6.6

Colour: Natural

UL Flammability: V2 (UL 94)

Operating temperature: -35°C ~ +85°C All dimensions are in mm.



Code	A	B	C	D	Mounting hole	Thickness	Max chiuso	MOQ-Pcs
6062AA00	21,5	16,4	14,3	10,0	Ø 4,8	0,8 - 2,5	Ø 4,0	1.000