

WIRE CLIPS SIDE OPENING HOLE Ø 8,0 MM.



Technical description

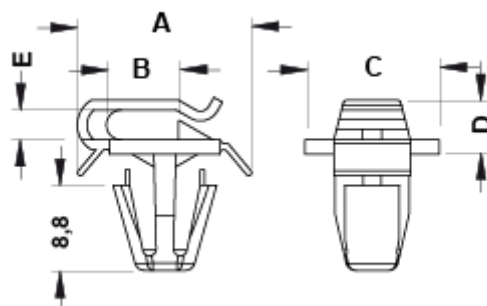
Material: PA 6.6

Colour: Natural

UL Flammability: V2 (UL 94)

Operating temperature: -35°C ~ +85°C

All dimensions are in mm.



Code	A	B	C	D	E	Mounting hole	Thickness	MOQ-Pcs
10680AA00	18,0	7,5	14,0	5,6	3,1	Ø 8,0	1,0 - 2,8	1.000