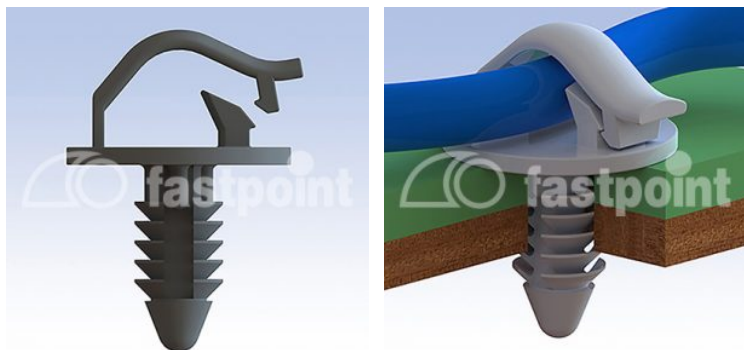


WIRE CLIPS – SIDE OPENING HOLE Ø 6,4 WITH CLOSURE



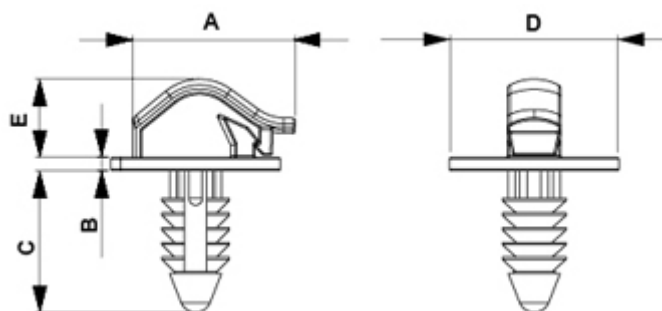
Technical description

Material: PA 6.6

Colour: Black

Flammability: V2 (UL 94)

Operating temperature: -35°C ~ +85°C All dimensions are in mm.



Code	A	B	C	D	E	Mounting hole	Thickness	MOQ-Pcs
7149AA01	17,9	1,5	15,9	Ø 19,1	8,7	Ø 6,4	2,7 - 7,3	2.000