

## WIRE CLIPS – SIDE OPENING HOLE Ø 5,0 OR 6,5 MM.



### Technical description

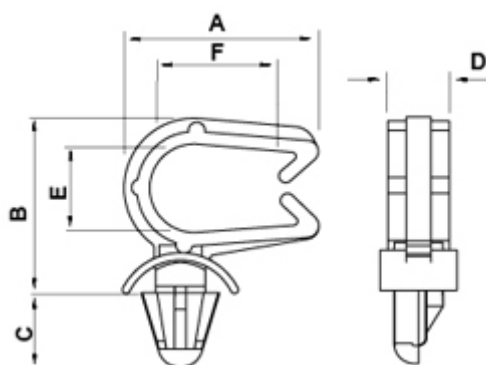
**Material:** PA 6.6

**Colour:** Natural o Black

**UL Flammability:** V2 (UL 94)

**Operating temperature:** -35°C ~ +85°C

All dimensions are in mm.



Code	A	B	C	D	E	F	Mounting hole	Thickness	Colour	MOQ-Pcs
0019AA01	17,0	15,0	8,5	6,0	7,5	9,0	Ø 6,5	0,5 - 1,5	Nero	2.500
0021AA00	23,3	21,0	5,5	6,5	10,0	16,0	Ø 5,0	0,6 - 1,7	Naturale	3.000
5767AA01	23,5	21,0	9,0	7,5	10,0	15,5	Ø 6,5	0,8 - 2,0	Nero	2.500