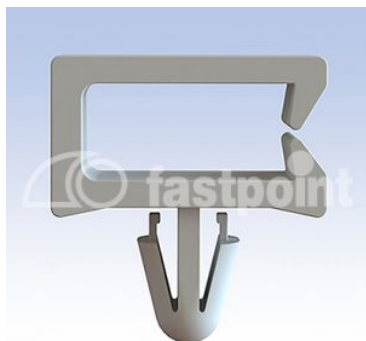


WIRE CLIPS – SIDE OPENING HOLE Ø 4,8 MM.



Technical description

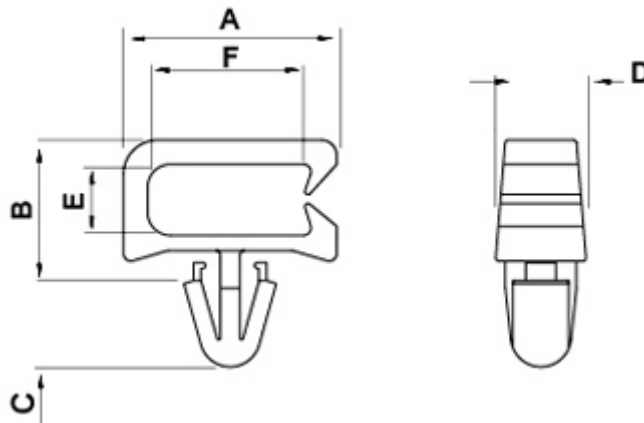
Material: PA 6.6

Colour: Natural

UL Flammability: V2 (UL 94)

Operating temperature: -35°C ~ +85°C

All dimensions are in mm.



Code	A	B	C	D	E	F	Mounting hole	Thickness	MOQ-Pcs
4782AA00	14,2	9,0	6,0	5,8	4,8	10,0	Ø 4,8	1,6	1.000