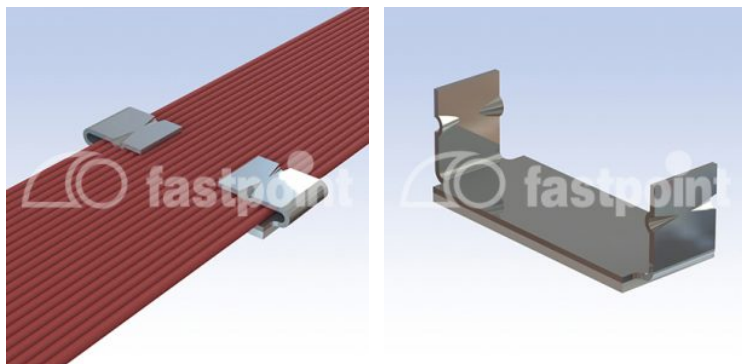


WIRE CLIPS SELF-ADHESIVE IN ALUMINIUM PER FLAT CABLES



Technical description

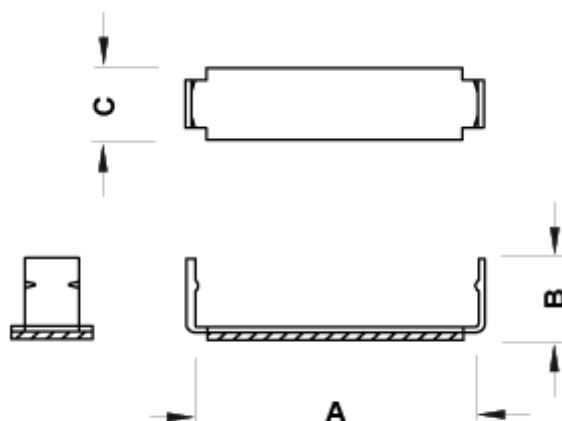
Material: aluminium

Adhesive: standard

Operating temperature:

-30°C ~ +70°C

All dimensions are in mm.



Code	A	B	C	MOQ-Pcs
7606AL90AS	13,3	6,4	9,0	250
7607AL90AS	20,1	6,4	9,0	250
7608AL90AS	25,9	7,9	9,0	250
7609AL90AS	32,4	9,5	9,0	250