

WIRE CLIPS SELF-ADHESIVE FOR FLAT CABLES



Technical description

Material: PA 6.6

Colour: Grey

Flammability: V2 (UL 94)

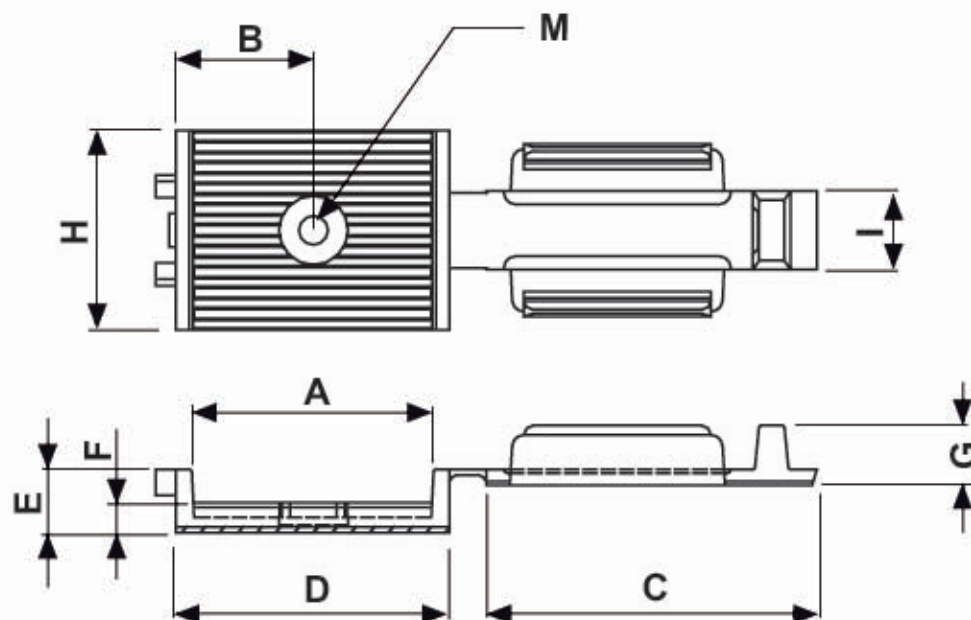
Operating temperature:

- **Standard adhesive:** -25°C ~ +80°C

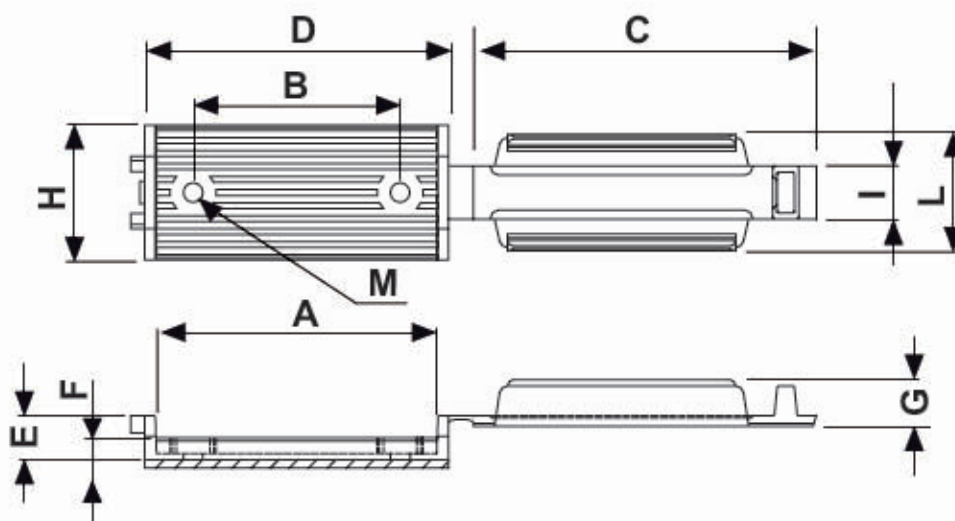
- **Nylon 6.6:** 35°C ~ +85°C

All dimensions are in mm.

TYPE 1



TYPE 2



Code	A	B	C	D	E	F	G	H	I	L	M	Type	MOQ-Pcs
6382AA11AS	30,5	17,5	41,7	35,0	8,2	4,0	7,2	25,4	11,0	22,0	3,7	1	100
6383AA11AS	53,0	39,0	64,6	57,3	8,3	4,1	8,8	25,4	10,0	22,0	3,7	2	100
6384AA11AS	78,9	38,7	90,6	82,3	12,3	6,3	7,6	25,4	10,0	22,0	38,0	2	100