

WIRE CLIPS A SIDE OPENING HOLE Ø 6,5 MM.



Technical description

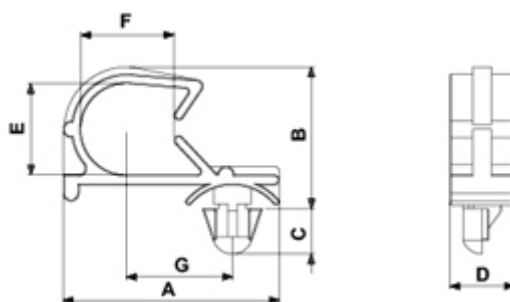
Material: PA 6.6

Colour: Natural

UL Flammability: V2 (UL 94)

Operating temperature: -35°C ~ +85°C

All dimensions are in mm.



Code	A	B	C	D	E	F	Mounting hole	Thickness	MOQ-Pcs
0022AA00	34,8	23,0	8,0	10,0	14,0	15,0	Ø 6,5	0,8 - 2,5	2.500